



Accessory Manual

Ontario Drive & Gear Limited

220 Bergey Court

New Hamburg, Ontario N3A 2J5

Phone: (519) 662-2840 Fax: (519) 662-2421

www.argoatv.com

Foreword

ODG has prepared this Accessory Manual to assist Argo retailers in selecting the correct replacement parts for Argo accessories.

Packaging sizes and shipping weights for the complete accessory kits is also provided for each accessory item.

All information contained in this Accessory Manual is based on the latest product specification available at time of printing. Product update information and new accessory kit information will be provided as it becomes available. This information will be provided in the form of insertion or replacement pages to be inserted in this manual.

ODG reserves the right to alter specifications of any of the accessory items at any time, without obligation or prior notification.

Reproduction of this Accessory Manual No. 677-01, in part or in whole, is prohibited without prior written permission from Ontario Drive & Gear Limited.

Explanation of Manual Format

- | | |
|--------------------|---|
| Ref | - reference number given on the parts drawing to identify the component |
| Part No. | - Argo replacement part number for identification and ordering |
| Description | - part description for identification and ordering |
| Qty | - indicates the quantity of a part number used in the accessory kit |

Parts not illustrated are not sold separately.



INDEX

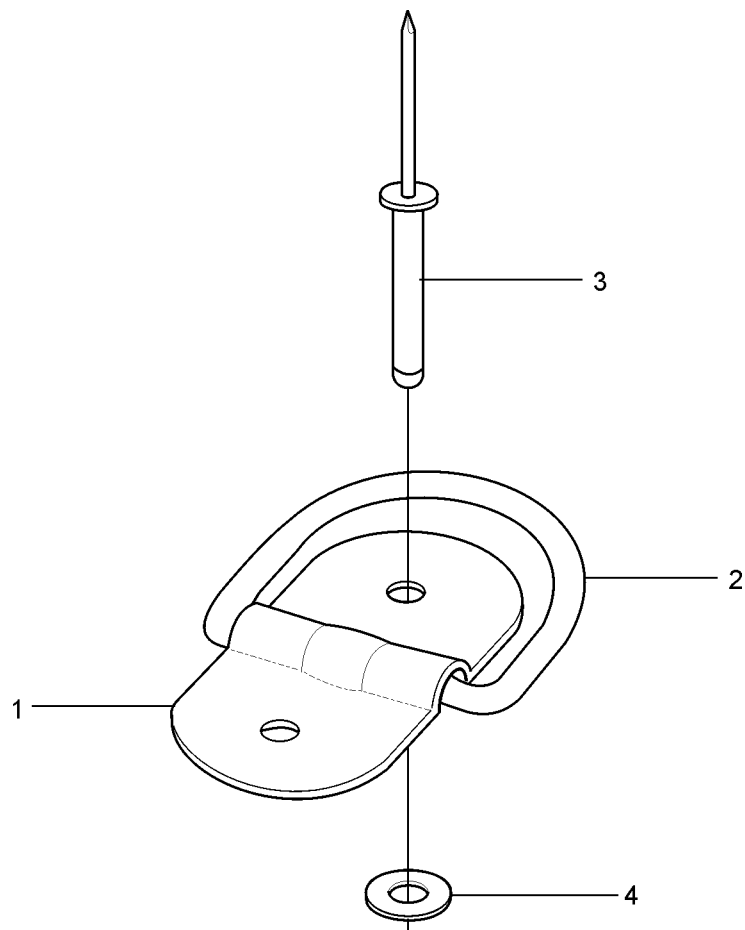
- 614-06 Cargo Tie Down Rings
- 615-10 Tire Chains (1 Pair)
- 615-43 Standard Tracks
- 617-09 Outboard Motor Bracket - Side Mount - Frontier
- 617-10 Outboard Motor Bracket - Side Mount - Avenger
- 619-10 Tire Gauge (0-15 PSI)
- 621-21 Storage Cover
- 621-30 Pouch
- 622-80 Winch
- 622-96 Receiver Winch
- 622-98 Winch Mounting Assembly
- 622-104 Winch Mounting Assembly
- 622-105 Winch - Avenger
- 622-110 Winch - Frontier
- 624-10 Brake Tailights - Avenger & Frontier
- 625-10 Rear Mud Flaps
- 625-20 Ice Cleats (6x6)
- 625-43 Super Tracks
- 625-50 Rubber Tracks
- 632-15 Hourmeter
- 633-10 Voltmeter
- 638-02 Oil Change Pump
- 638-30 Bilge Pump - Avenger & Frontier
- 639-26 Handrails - Frontier
- 642-00 Tow Hook
- 642-49 Brushguard - Avenger
- 642-50 Brushguard - Frontier
- 642-82 Fog Lights
- 648-15 Roll Bar - 6x6
- 648-47 Roll Over Protective Structure (ROPS)
- 648-50 Roll Bar Lights
- 648-70 Windshield Wiper
- 648-79 Windshield - Frontier
- 648-80 Windshield - Avenger
- 648-82 Argo Auxilliary Light Accessory
- 649-51 Convertible Top - Frontier
- 657-21 Snowplow - Avenger
- 663-12 Skid Plate - Frontier
- 668-06 Neutral Start
- 695-75BL Trailer
- 695-80BL Trailer
- 815-42K Standard Tracks
- 821-25 Utility Brackets
- 821-35 Utility Racks
- 821-40 Storage Cover
- 825-20 Ice Cleats
- 825-21 Ice Cleats
- 825-42K Super Tracks
- 825-50-1 Rubber Tracks
- 825-55-1 Rubber Track Hinge
- 839-30 Handrails - Avenger
- 839-35 Handrails - Frontier
- 848-32 Heater - Avenger
- 848-40-4 Roll Over Protective Structure (ROPS)
- 849-40 (Black) Convertible Top
- 849-45 (Black) Convertible Half Top
- 849-51 Convertible Top (8x8 Frontier 650)
- 849-80 Rear Bench Seat
- 849-90-2, 849-90-4 Roll Over Protective Structure (ROPS)
- 850-54 Alternator
- 850-98 Parking Brake Service Assembly
- 850-99 Backup Alarm
- 850-100 Stretcher Frame



ARGO ACCESSORIES	6x6 Frontier 480	6x6 Frontier 580	6x6 Frontier 650	8x8 Frontier 650	8x8 Avenger 700	8x8 Avenger 750 EFI
COMFORT						
Cargo Tie Down Rings	614-06	614-06	614-06	614-06	614-06	614-06
Convertible Top	649-51	649-51	649-51	849-51	849-40	849-40
Half Top	N/A	N/A	N/A	N/A	849-45	849-45
Brake / Tail Lights	624-10	624-10	624-10	624-10	624-10	624-10
Handrails	639-26	639-26	639-26	839-35	839-30	839-30
Heater Assembly	N/A	N/A	N/A	N/A	848-32	848-32
Mounting Ass'y (Brushguard/Winch)	622-104	622-104	622-104	622-98	622-98	622-98
Power Winch	622-110	622-110	622-110	622-105	622-105	622-105
Receiver Winch (Wiring & Rear Hitch)	622-96	622-96	622-96	622-96	622-96	622-96
Rear Bench Seat	N/A	N/A	N/A	849-80	849-80	849-80
Remote Control (Winch)	622-106	622-106	622-106	622-106	622-106	622-106
Tow Hook	642-00	642-00	642-00	642-00	642-00	642-00
Utility Storage Pouch	621-35	621-35	621-35	621-35	621-35	621-35
Windshield	648-79	648-79	648-79	648-79	648-80	648-80
Windshield Wiper	648-70	648-70	648-70	648-70	648-70	648-70
APPLICATION IN WATER						
Bilge Pump	638-30	638-30	638-30	638-30	638-30	638-30
Outboard Motor Bracket	617-09	617-09	617-09	617-10	617-10	617-10
TRACKS						
Standard Tracks	N/A	615-43	615-43	815-42K	815-42K	815-42K
Super Tracks	N/A	625-43	625-43	825-42K	825-42K	825-42K
Super Track Ice Cleats	N/A	625-20	625-20	825-20	N/A	N/A
Rubber Track Ice Cleats	N/A	625-21	625-21	825-21	825-21	825-21
Rubber Tracks	N/A	625-50	625-50	825-50-1	825-50-1	825-50-1
PROTECTION						
Brushguard	642-40	642-40	642-40	642-40	642-20	642-20
Fog Lights	642-82	642-82	642-82	642-82	642-82	642-82
Roll Bar	648-15	648-15	648-15	N/A	N/A	N/A
ROPS c/w 2 Seat Belts	648-47	648-47	648-47	849-90-2	849-90-2	849-90-2
ROPS & Rear Bench Seat	N/A	N/A	N/A	849-90-4	849-90-4	849-90-4
Skid Plate	663-12	663-12	incl.	863-13	incl.	incl.
Storage Cover	621-20	621-20	621-20	821-40	821-40	821-40
CONVENIENCE						
Alternator	N/A	N/A	N/A	N/A	850-54	850-54
Roll Bar Lights	648-50	648-50	648-50	N/A	N/A	N/A
Snow Plow	N/A	N/A	657-21	657-21	657-21	657-21
Trailer	695-75BL	695-75BL	695-75BL	695-75BL	695-80BL	695-80BL
Trailer Hitch	626-10	626-10	incl.	incl.	incl.	incl.
Utility Bracket	821-25	821-25	821-25	821-25	821-25	821-25
Utility Rack	821-35	821-35	821-35	821-35	821-35	821-35
SEARCH & RESCUE						
Stretcher Frame	N/A	N/A	N/A	N/A	850-100	850-100



614-06 Cargo Tie Down Rings



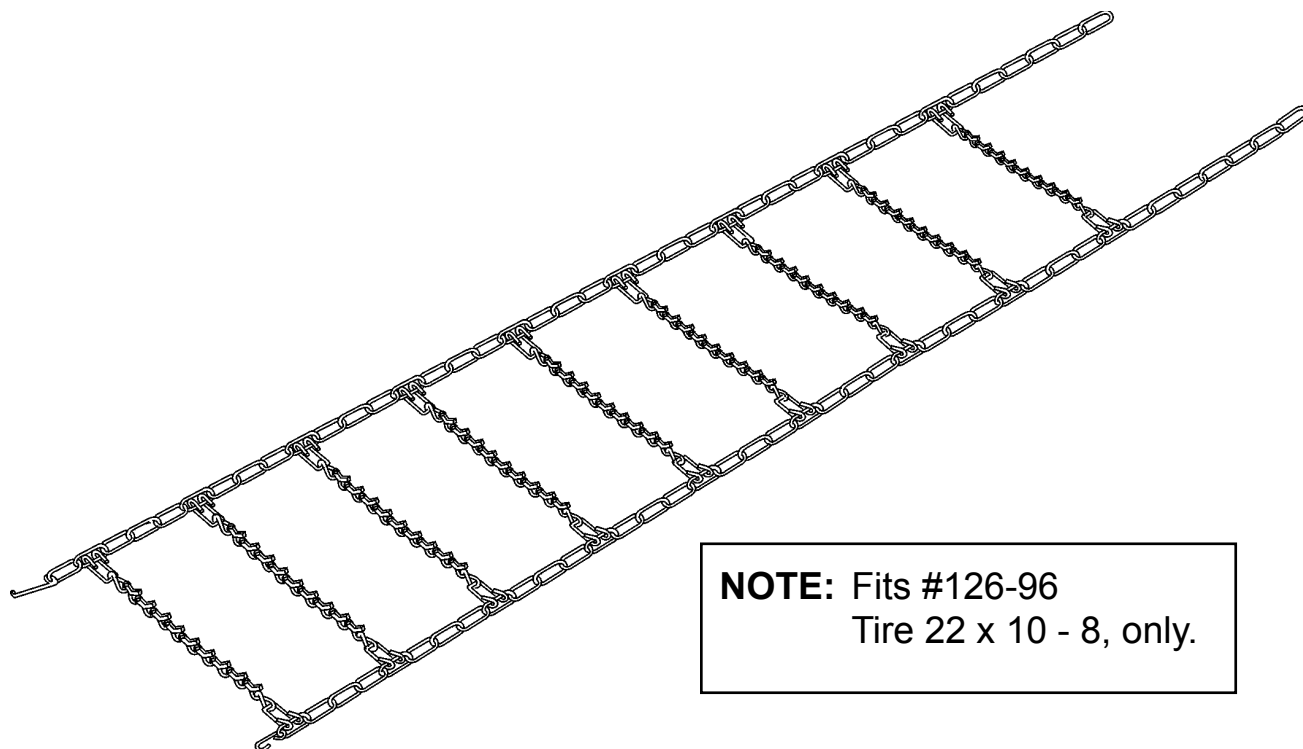
Ref.	Qty.	Part #	Description
1	6	614-04	Bracket, Tie Down
2	6	614-05	Ring, "D" - Tie Down
3	12	120-09	Rivet 3/16 x 1
4	12	120-05	Washer .195 x .500 x .40 Zn

Shipping Weight and Dimensions

1 Package - Dimensional Weight: 1 lb.; Dimensions: 6"x 5"x 1"; Actual Weight: 1 lb.



615-10 Tire Chains (1 Pair)



NOTE: Fits #126-96
Tire 22 x 10 - 8, only.

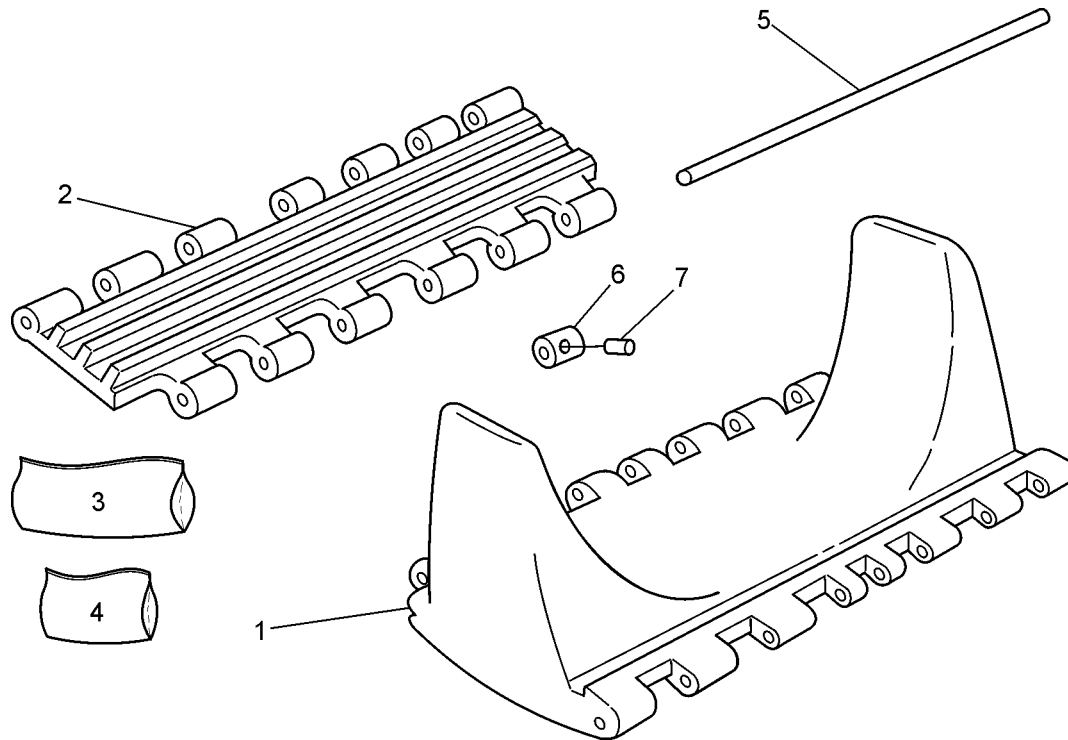
Ref.	Qty.	Part #	Description
1	2	615-10	Tire Chain

Shipping Weight and Dimensions

1 Box - Dimensional Weight: 2 lbs.; Dimensions: 13"x 6"x 3-1/2"; Actual Weight: 13 lbs.



615-43 Standard Tracks



Ref.	Qty.	Part #	Description
1	62	615-42	Track Segment - Standard
2	2	615-21	Half Segment
3	1	615-02-6	Track Pin Set (66 pcs.) - 6x6
4	1	615-12-6	Bushing Set (66 pcs.) - 6x6 c/w Set Screws (68 pcs.)

Extra parts included:

615-02 pins (5), 615-12 lock bushing (6) and 112-68 SHSS 1/4"-20 x 1/4" (7) for future replacement.

Shipping Weight and Dimensions

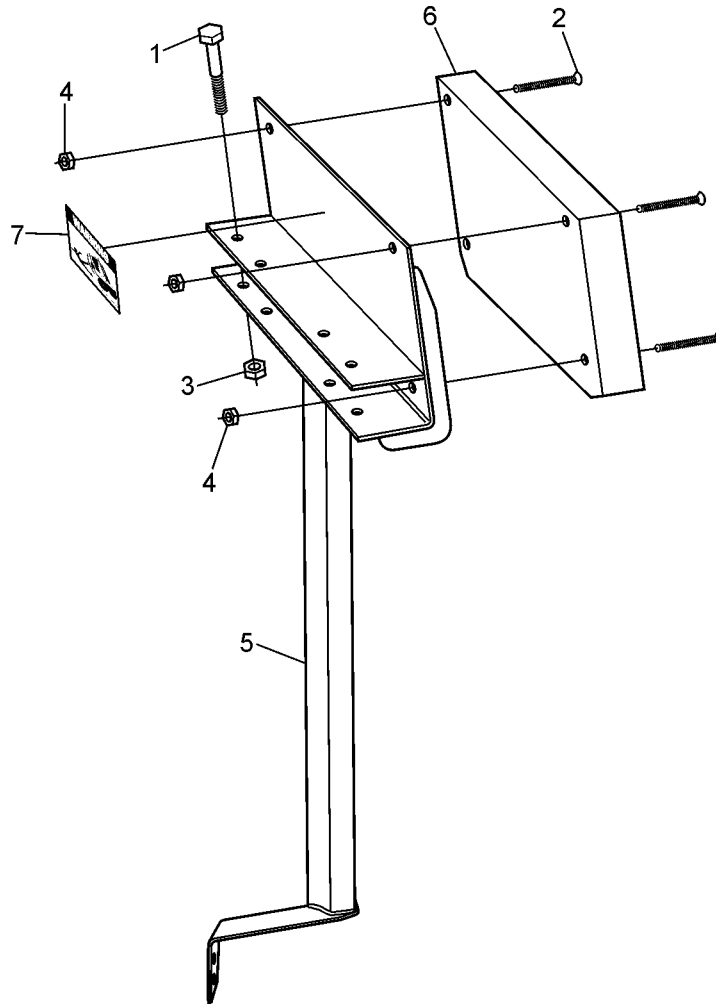
615-43

4 Boxes - 615-42 Track - Dimensional Weight: 38 lbs. each; Dimensions: 22" x 20" x 14" each;
Actual Weight: 26 lbs. each

1 Box (10 pcs. 615-42, 1 pc. 615-02-6, 1 pc. 615-12-6, 2 pcs. 615-21) - Dimensional Weight: 38 lbs.;
Dimensions: 22" x 20" x 14"; Actual Weight: 30 lbs.



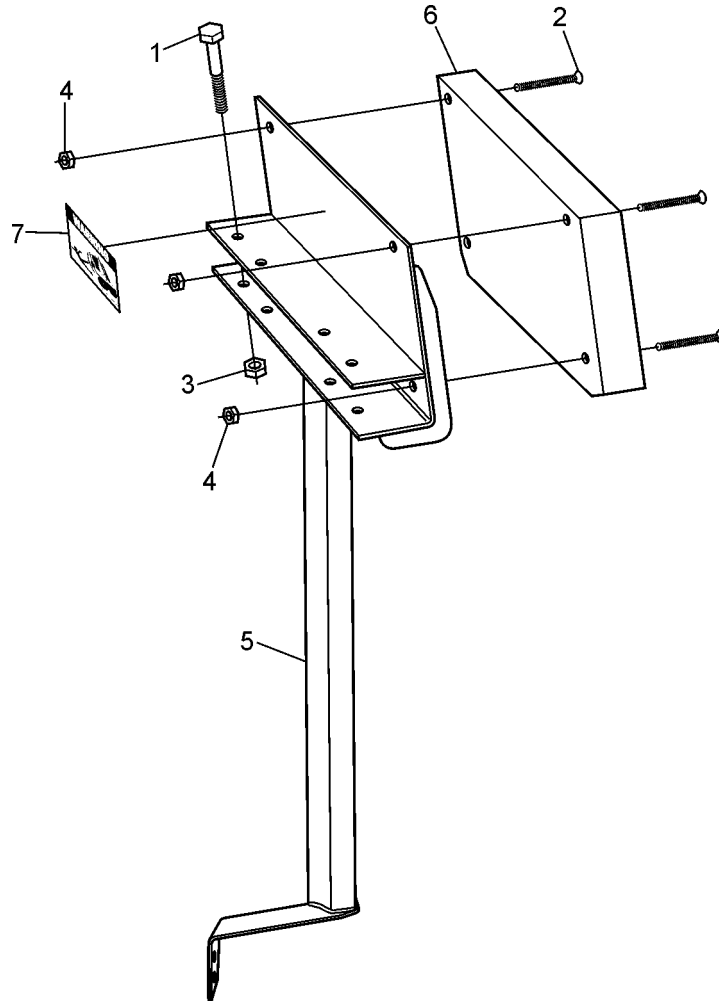
617-09 Outboard Motor Bracket - Side Mount - Frontier



Ref.	Qty.	Part #	Description
1	4	103-68	HHCS 3/8-16x2.0 Gr5 Zn
2	4	103-98	FHMS, Slot 1/4-20x2.0 Zn
3	4	117-29	Locknut, Nylon 3/8-16 Zn
4	4	117-27	Locknut, Nylon 1/4-20 Zn
5	1	617-08	Bracket, Support-ASM-Weld
6	1	618-11	Block, Mounting
7	1	618-21	Label, Warning



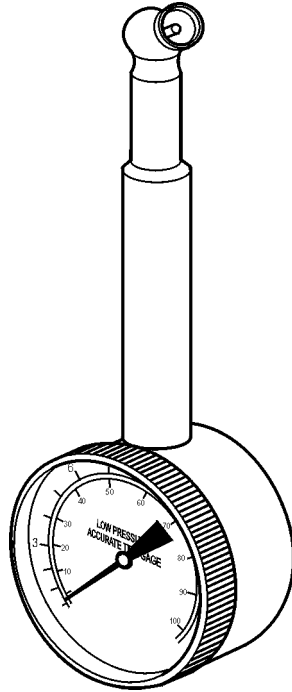
617-10 Outboard Motor Bracket - Side Mount - Avenger



Ref.	Qty.	Part #	Description
1	4	103-68	HHCS 3/8-16x2.0 Gr5 Zn
2	4	103-98	FHMS, Slot 1/4-20x2.0 Zn
3	4	117-29	Locknut, Nylon 3/8-16 Zn
4	4	117-27	Locknut, Nylon 1/4-20 Zn
5	1	617-11	Bracket, Support-ASM-Weld
6	1	618-11	Block, Mounting
7	1	618-21	Label, Warning



619-10 Tire Gauge (0-15 PSI)



Ref.	Qty.	Part #	Description
1	1	619-10	Tire Gauge

Shipping Weight and Dimensions
1 Piece - 9" x 4" x 2"; Actual Weight 1 lb.



621-21 Storage Cover (Not for Highway Use)



Ref.	Qty.	Part #	Description
1	1	621-21	Storage Cover - 8 Wheel shown

Shipping Weight and Dimensions

621-21

1 Piece - Dimensional Weight: 11 lbs.; Dimensions: 16" x 16" x 7"; Actual Weight: 4 lbs.



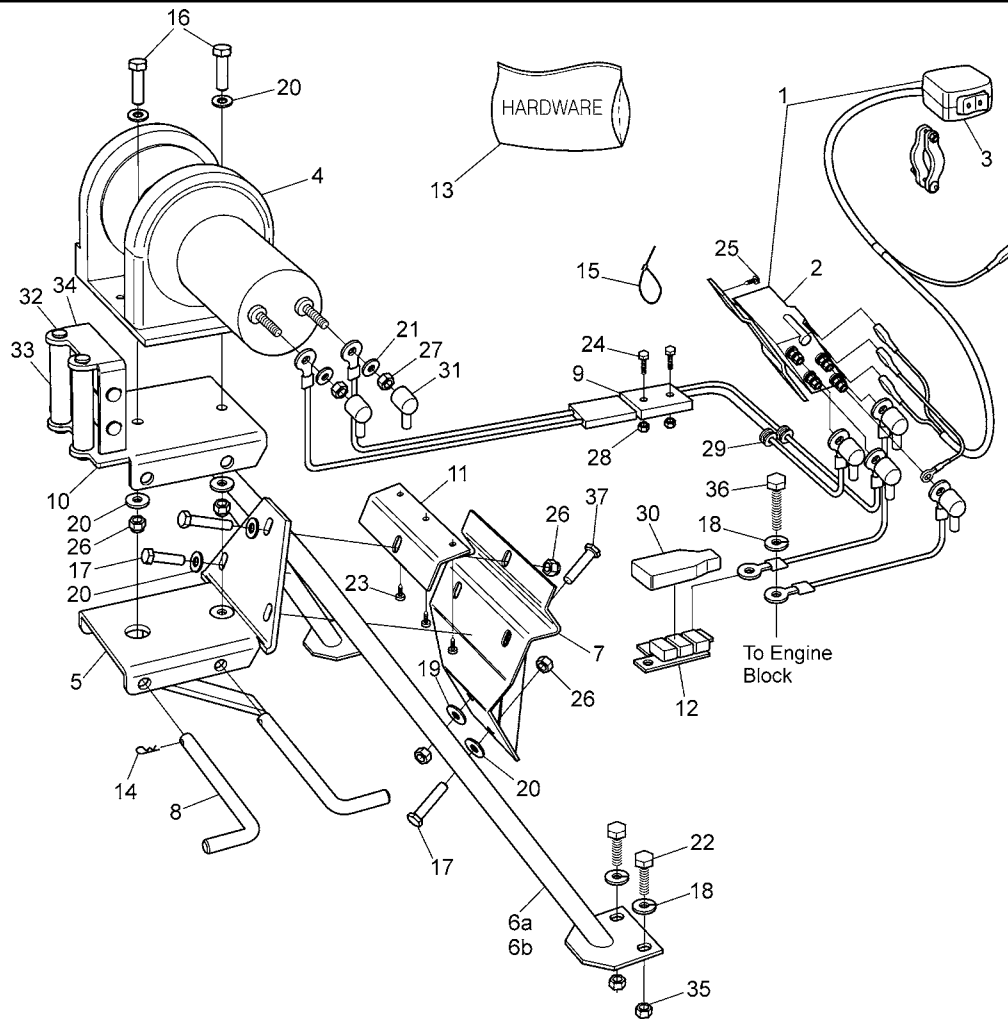
621-35 Pouch



Ref.	Qty.	Part #	Description
1	1	621-35	Pouch



622-80 Winch



Ref.	Qty.	Part #	Description	Ref.	Qty.	Part #	Description
1	1	622-67	Kit, Solenoid & Toggle (incl. Ref. 2 & 3)	24	2	112-126	HHCS M3 x 0,5 x 30 CI 8.8 Zn
2	1	622-38	Contactora, Reversing Monoblock	25	2	112-19	Screw, IHWH T/C Slot 1/4-20x1/2
3	1	622-39	Switch, Handle Bar Toggle	26	7	117-29	Locknut, Nylon 3/8-16 Zn
4	1	622-41	Winch X2F c/w 40' Cable + 30' Strap (incl. Ref. 12)	27	2	117-59	Nut, Hex Machine #10-32 Zn
5	1	622-69	Receiver Ass'y, Front Winch	28	2	117-78	Locknut, Nylon M3 x 0.5" Zn
6	1	622-81	Hoop Ass'y, Winch - Avenger	29	2	125-84	Grommet, Rubber
7	1	622-83	Bracket, Body Support - Winch	30	1	127-55	Cap, Battery Terminal - Red
8	2	622-85	Release Pin, Receiver Winch	31	5	613-45	Insulator, Terminal 6 Ga.
9	1	622-88	Wire Harness, Receiver Winch	32	5	107-05	Ring, Snap
10	1	622-89	Fairlead, Weldment	33	4	622-53	Roller, Fairlead
11	1	622-99	Hoodframe Support Bracket, Winch	34	4	622-54	Shaft, Fairlead
12	1	622-29	Circuit Breaker Asm	35	4	117-03	Nut, Fin Hex 5/16-18 Zn
13	1	622-80HDW	Hardware Kit - includes the following:	36	1	112-20	HHCS M8 x 1,25 x 25mm Zn
14	2	100-16	Clip, Hitch Pin 1.625 Zn	Shipping Weight and Dimensions			
15	4	100-64	Tie Wrap - 5.5" Black	1 Box - 622-41 Winch: Dimensional Weight: 7 lbs.;			
16	3	103-34	HHCS 3/8-16 x 1.25 Gr5 Zn	Dimensions: 15.5" x 8.5" x 9"; Actual Weight: 27 lbs.			
17	4	103-82	HHCS 3/8-16 x 1.5 Gr5 Zn	1 Piece - 622-81 Hoop: Dimensional Weight: 12 lbs.;			
18	4	108-05	Lockwasher 5/16 Split Ring Zn	Dimensions: 25" x 26.5" x 3"; Actual Weight: 4 lbs.			
19	1	108-18	Washer .40 x 1.37 x .12 Zn	1 Box containing 622-67, 622-80HDW, 622-99,			
20	12	108-47	Washer .39x.94x.13 Zn Di-Chro	622-88, 622-69, 622-83, 622-29, 2 x 622-85			
21	2	108-59	Lockwasher #10 Int. Tooth Zn	Dimensional Weight: 7.5 lbs.;			
22	4	112-01	HHCS 5/16-18x3/4 Gr5 Zn	Dimensions: 15" x 11.5" x 7"; Actual Weight: 19 lbs.			
23	3	112-102	Screw, Self Drill 12-14 x 3/4"				

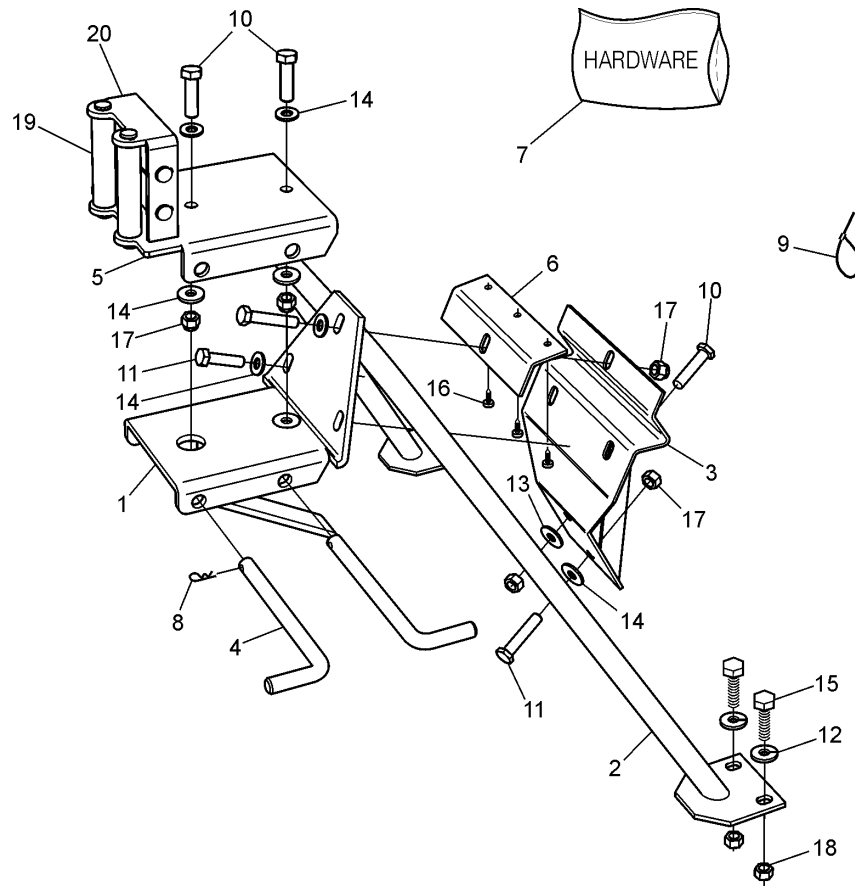


Receiver Winch - 622-96

Ref.	Qty.	Part #	Description
1	1	622-93	Receiver, Rear Winch Avg
2	1	622-116	Wire Harness, Receiver Winch
3	2	100-64	Tie Wrap - 5.5" - Black
4	2	112-126	HHCS M3x0,5x30 CL 8.8 Zn
5	2	117-78	Locknut, Nylon M3x 0.5" Zn
6	2	125-84	Grommet, Rubber
7	4	120-04	Washer .19x.50x.08 Zn
8	4	120-09	Rivet - 3/16 x 1.0 Black
9	4	126-93	Clamp, Nylon Wire - 1/2" ID
10	2	613-46	Terminal, Insulator
11	1	118-72	Connector Housing, Anderson



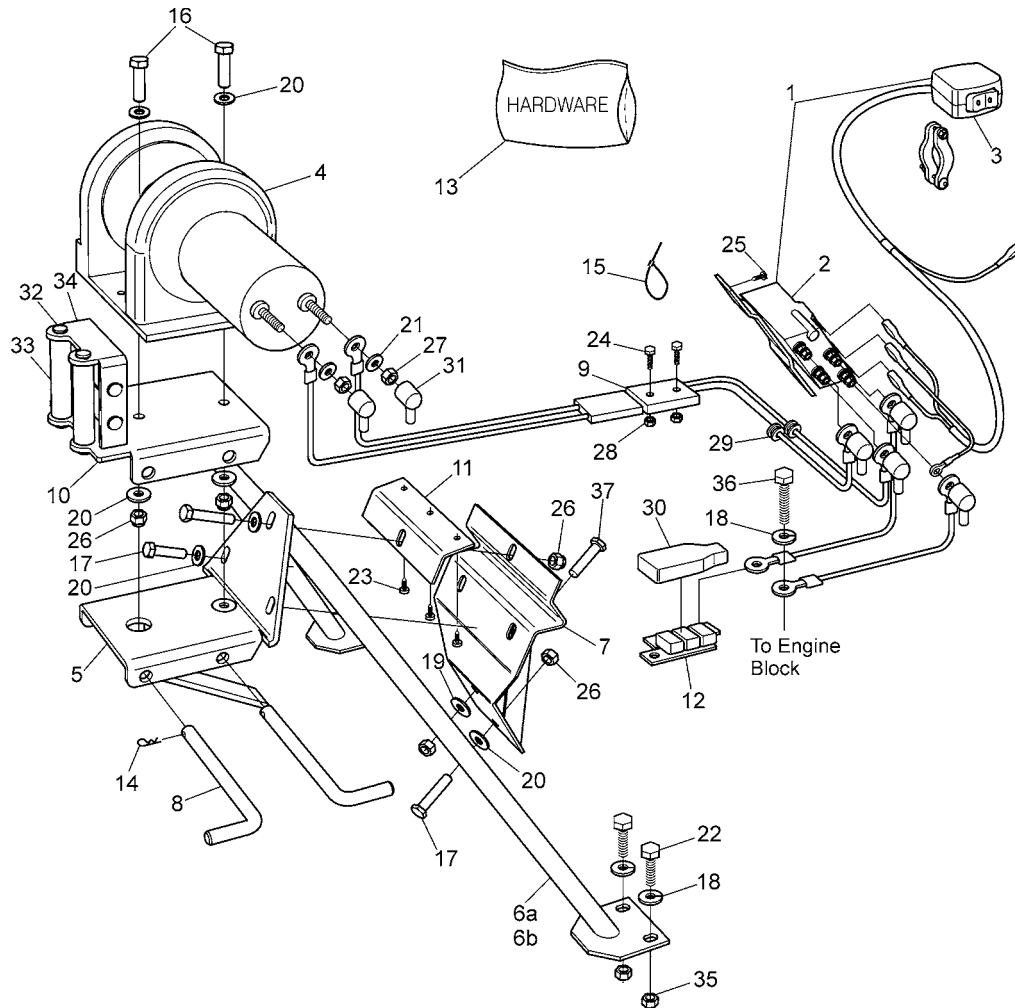
622-98 Winch Mounting Assembly



Ref.	Qty.	Part #	Description
1	1	622-69	Receiver Ass'y, Front Winch
2	1	622-81	Hoop Ass'y, Winch - Avenger
3	1	622-83	Bracket, Body Support - Winch
4	2	622-85	Release Pin, Receiver Winch
5	1	622-89	Fairlead, Weldment
6	1	622-99	Hoodframe Support Bracket, Winch
7	1	622-80HDW	Hardware Kit - includes the following:
8	2	100-16	Clip, Hitch Pin 1.625 Zn
9	4	100-64	Tie Wrap - 5.5" Black
10	3	103-34	HHCS 3/8-16 x 1.25 Gr5 Zn
11	4	103-82	HHCS 3/8-16 x 1.5 Gr5 Zn
12	4	108-05	Lockwasher 5/16 Split Ring Zn
13	1	108-18	Washer .40 x 1.37 x .12 Zn
14	12	108-47	Washer .39 x .94 x .13 Zn Di-Chro
15	4	112-01	HHCS 5/16-18 x 3/4 Gr5 Zn
16	3	112-102	Screw, Self Drill 12-14 x 3/4"
17	7	117-29	Locknut, Nylon 3/8-16 Zn
18	4	117-03	Nut, Fin Hex 5/16-18 Zn
19	4	622-53	Roller, Fairlead
20	4	622-54	Shaft, Fairlead
Additional Hardware for Mounting Winch - not illustrated (Part of Hardware Kit)			
	2	108-59	Lockwasher #10 Int. Tooth Zn
	2	112-126	HHCS M3 x 0,5 x 30 CI 8.8 Zn
	2	112-19	Screw, IHWH T/C Slot 1/4-20 x1/2
	2	117-59	Nut, Hex Machine #10-32 Zn
	2	117-78	Locknut, Nylon M3 x 0.5" Zn
	2	125-84	Grommet, Rubber
	5	613-45	Insulator, Terminal 6 Ga.
	1	112-20	HHCS M8 x 1,25 x 25mm Zn



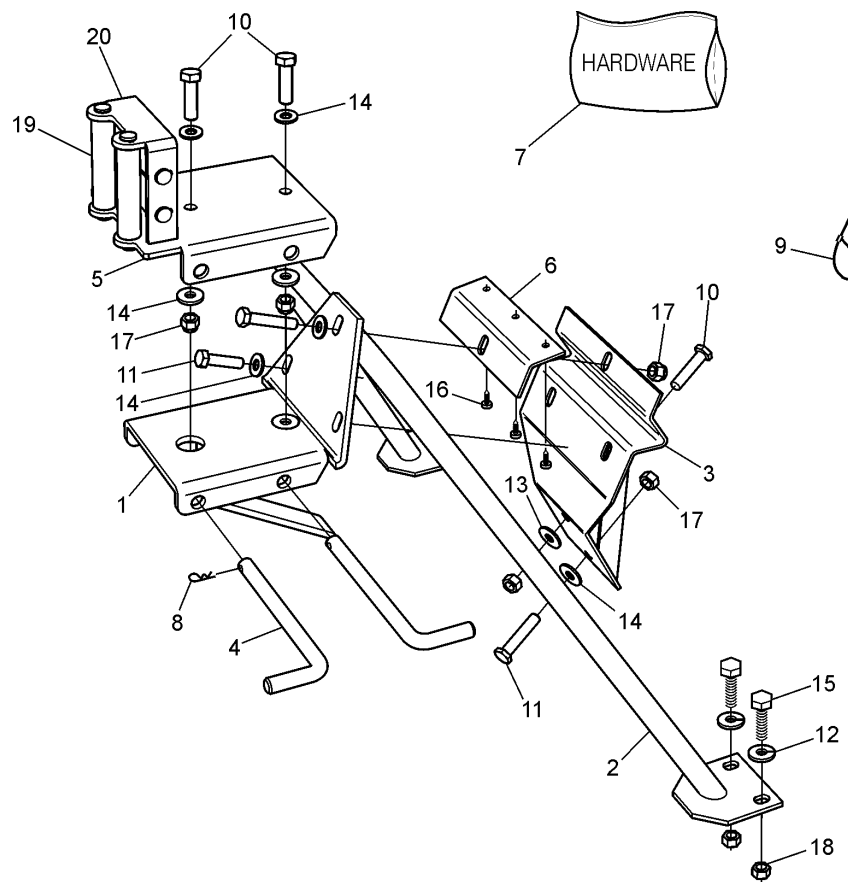
622-100 Winch



Ref.	Qty.	Part #	Description	Ref.	Qty.	Part #	Description
1	1	622-67	Kit, Solenoid & Toggle (incl. Ref. 2 & 3)	24	2	112-126	HHCS M3 x 0,5 x 30 CI 8.8 Zn
2	1	622-38	Contactora, Reversing Monoblock	25	2	112-19	Screw, IHWH T/C Slot 1/4-20x1/2
3	1	622-39	Switch, Handle Bar Toggle	26	7	117-29	Locknut, Nylon 3/8-16 Zn
4	1	622-41	Winch X2F c/w 40' Cable + 30' Strap (incl. Ref. 12)	27	2	117-59	Nut, Hex Machine #10-32 Zn
5	1	622-69	Receiver Ass'y, Front Winch	28	2	117-78	Locknut, Nylon M3 x 0.5" Zn
6	1	622-101	Hoop Ass'y, Winch - Frontier	29	2	125-84	Grommet, Rubber
7	1	622-83	Bracket, Body Support - Winch	30	1	127-55	Cap, Battery Terminal - Red
8	2	622-85	Release Pin, Receiver Winch	31	5	613-45	Insulator, Terminal 6 Ga.
9	1	622-88	Wire Harness, Receiver Winch	32	5	107-05	Ring, Snap
10	1	622-89	Fairlead, Weldment	33	4	622-53	Roller, Fairlead
11	1	622-99	Hoodframe Support Bracket, Winch	34	4	622-54	Shaft, Fairlead
12	1	622-29	Circuit Breaker Asm	35	4	117-03	Nut, Fin Hex 5/16-18 Zn
13	1	622-80HDW	Hardware Kit - includes the following:	36	1	112-20	HHCS M8 x 1,25 x 25mm Zn
14	2	100-16	Clip, Hitch Pin 1.625 Zn	Shipping Weight and Dimensions			
15	4	100-64	Tie Wrap - 5.5" Black	1 Box - 622-41 Winch: Dimensional Weight: 7 lbs.;			
16	3	103-34	HHCS 3/8-16 x 1.25 Gr5 Zn	Dimensions: 15.5" x 8.5" x 9"; Actual Weight: 27 lbs.			
17	4	103-82	HHCS 3/8-16 x 1.5 Gr5 Zn	1 Piece - 622-81 Hoop: Dimensional Weight: 12 lbs.;			
18	4	108-05	Lockwasher 5/16 Split Ring Zn	Dimensions: 25" x 26.5" x 3"; Actual Weight: 4 lbs.			
19	1	108-18	Washer .40 x 1.37 x .12 Zn	1 Box containing 622-67, 622-80HDW, 622-99,			
20	12	108-47	Washer .39x.94x.13 Zn Di-Chro	622-88, 622-69, 622-83, 622-29, 2 x 622-85			
21	2	108-59	Lockwasher #10 Int. Tooth Zn	Dimensional Weight: 7.5 lbs.;			
22	4	112-01	HHCS 5/16-18x3/4 Gr5 Zn	Dimensions: 15" x 11.5" x 7"; Actual Weight: 19 lbs.			
23	3	112-102	Screw, Self Drill 12-14 x 3/4"				



622-104 Winch Mounting Assembly



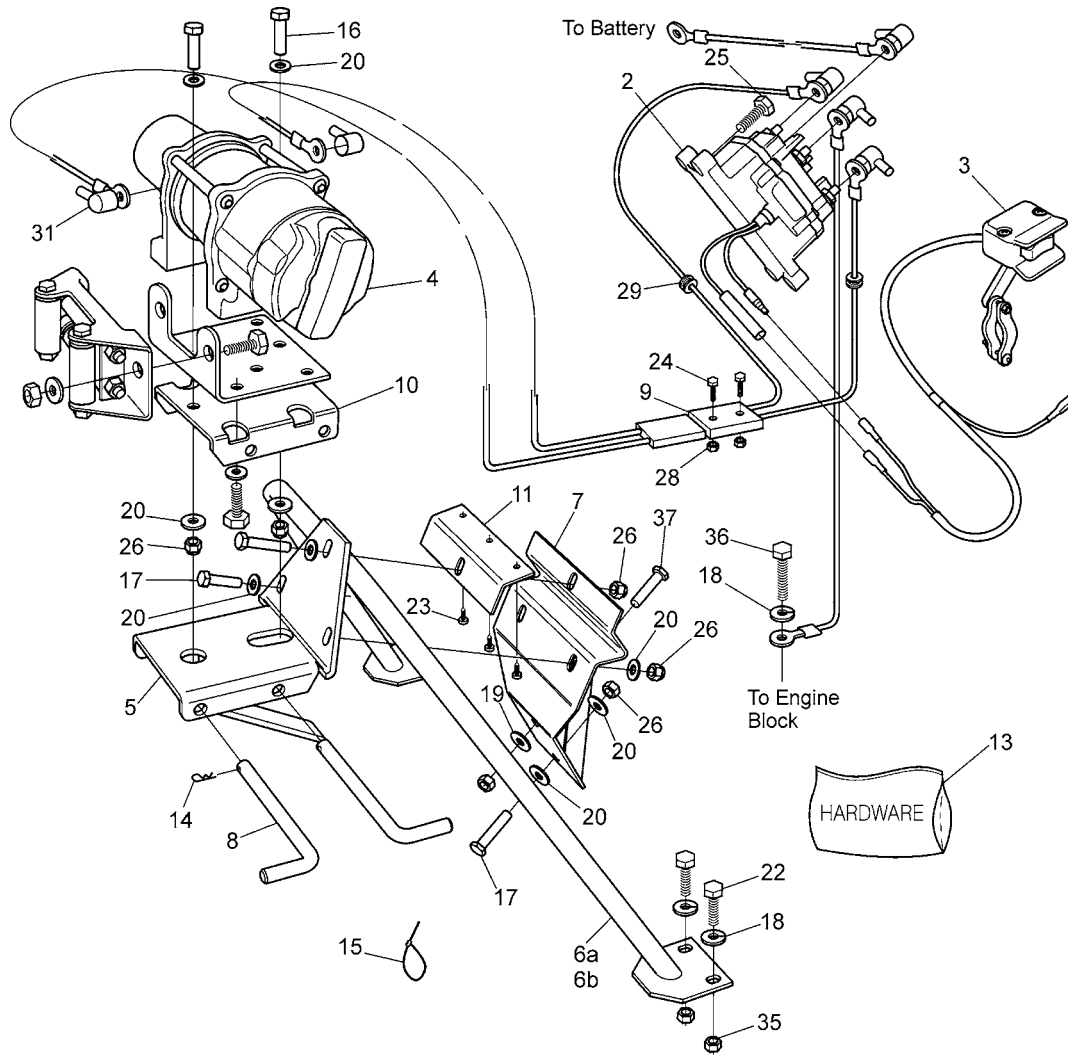
Ref.	Qty.	Part #	Description
1	1	622-69	Receiver Ass'y, Front Winch
2	1	622-101	Hoop Ass'y, Winch - Frontier
3	1	622-83	Bracket, Body Support - Winch
4	2	622-85	Release Pin, Receiver Winch
5	1	622-89	Fairlead, Weldment
6	1	622-99	Hoodframe Support Bracket, Winch
7	1	622-80HDW	Hardware Kit - includes the following:
8	2	100-16	Clip, Hitch Pin 1.625 Zn
9	4	100-64	Tie Wrap - 5.5" Black
10	3	103-34	HHCS 3/8-16 x 1.25 Gr5 Zn
11	4	103-82	HHCS 3/8-16 x 1.5 Gr5 Zn
12	4	108-05	Lockwasher 5/16 Split Ring Zn
13	1	108-18	Washer .40 x 1.37 x .12 Zn
14	12	108-47	Washer .39 x .94 x .13 Zn Di-Chro
15	4	112-01	HHCS 5/16-18 x 3/4 Gr5 Zn
16	3	112-102	Screw, Self Drill 12-14 x 3/4"
17	7	117-29	Locknut, Nylon 3/8-16 Zn
18	4	117-03	Nut, Fin Hex 5/16-18 Zn
19	4	622-53	Roller, Fairlead
20	4	622-54	Shaft, Fairlead

Additional Hardware for Mounting Winch - not illustrated (Part of Hardware Kit)

2	108-59	Lockwasher #10 Int. Tooth Zn
2	112-126	HHCS M3 x 0,5 x 30 CI 8.8 Zn
2	112-19	Screw, IHWH T/C Slot 1/4-20 x1/2
2	117-59	Nut, Hex Machine #10-32 Zn
2	117-78	Locknut, Nylon M3 x 0.5" Zn
2	125-84	Grommet, Rubber
5	613-45	Insulator, Terminal 6 Ga.
1	112-20	HHCS M8 x 1,25 x 25mm Zn



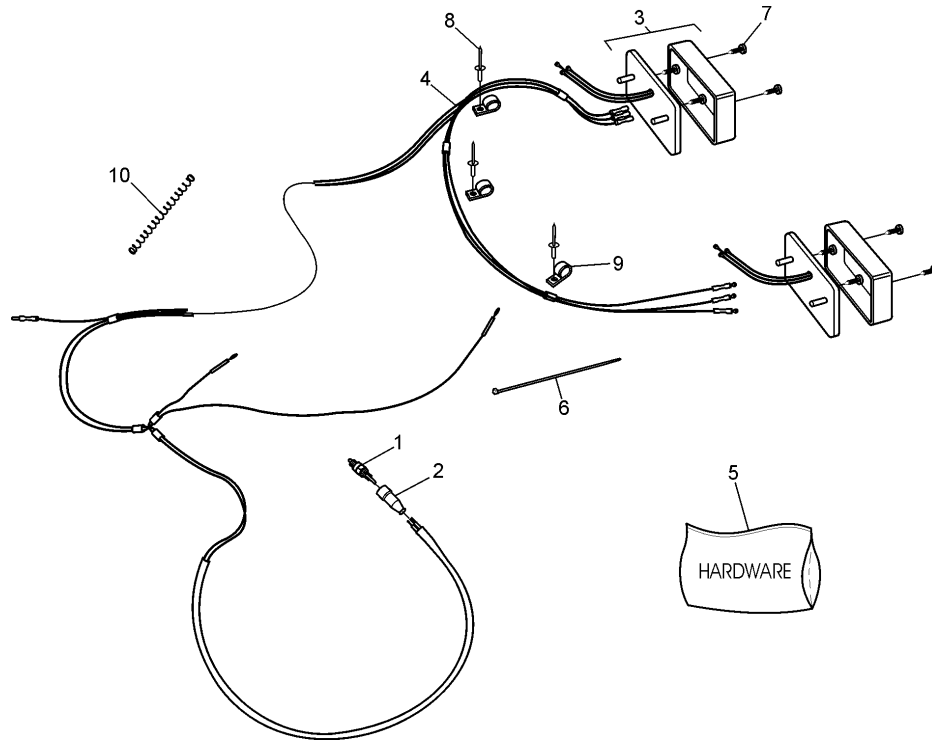
622-105/622-110 Winch



Ref.	Qty.	Part #	Description	Ref.	Qty.	Part #	Description
2	1	622-113	Solenoid, Reversing - Warn	18	5	108-05	Lockwasher 5/16 Split Ring Zn
3	1	622-114	Switch Asm, Winch Toggle - Warn	19	1	108-18	Washer .40 x 1.37 x .12 Zn
4	1	622-103	Winch RT30 c/w 50' Cable + 30' Strap	20	12	108-47	Washer .39x.94x.13 Zn Di-Chro
5	1	622-112	Receiver Ass'y, Front Winch	22	4	112-01	HHCS 5/16-18x3/4 Gr5 Zn
6a	1	622-81	Hoop Ass'y, Winch - Avenger	23	3	112-102	Screw, Self Drill 12-14 x 3/4"
6b	1	622-101	Hoop Ass'y, Winch - Frontier	24	2	112-126	HHCS M3 x 0,5 x 30 CI 8.8 Zn
7	1	622-83	Bracket, Body Support - Winch	25	2	103-72	Screw, IHWH T/C Slot 1/4-20 x 3/4
8	2	622-85	Release Pin, Receiver Winch	26	7	117-29	Locknut, Nylon 3/8-16 Zn
9	1	622-109	Wire Harness, Receiver Winch	28	2	117-78	Locknut, Nylon M3 x 0.5" Zn
10	1	622-111	Plate, Winch Mount	29	2	125-84	Grommet, Rubber
11	1	622-99	Hoodframe Support Bracket, Winch	31	5	613-45	Insulator, terminal 6 Ga.
13	1	622-110HDW	Hardware Kit - includes the following:	35	4	117-03	Nut, Fin Hex 5/16-18 Zn
14	2	100-16	Clip, Hitch Pin 1.625 Zn	36	1	112-20	HHCS M8 x 1,25 x 25mm Zn
15	4	100-64	Tie Wrap - 5.5" Black	37	1	103-17	HHCS 3/8-16 x 1.0 Gr5 Zn
16	2	103-34	HHCS 3/8-16 x 1.25 Gr5 Zn				
17	4	103-82	HHCS 3/8-16 x 1.5 Gr5 Zn				



624-10 Brake Tailights - Avenger & Frontier



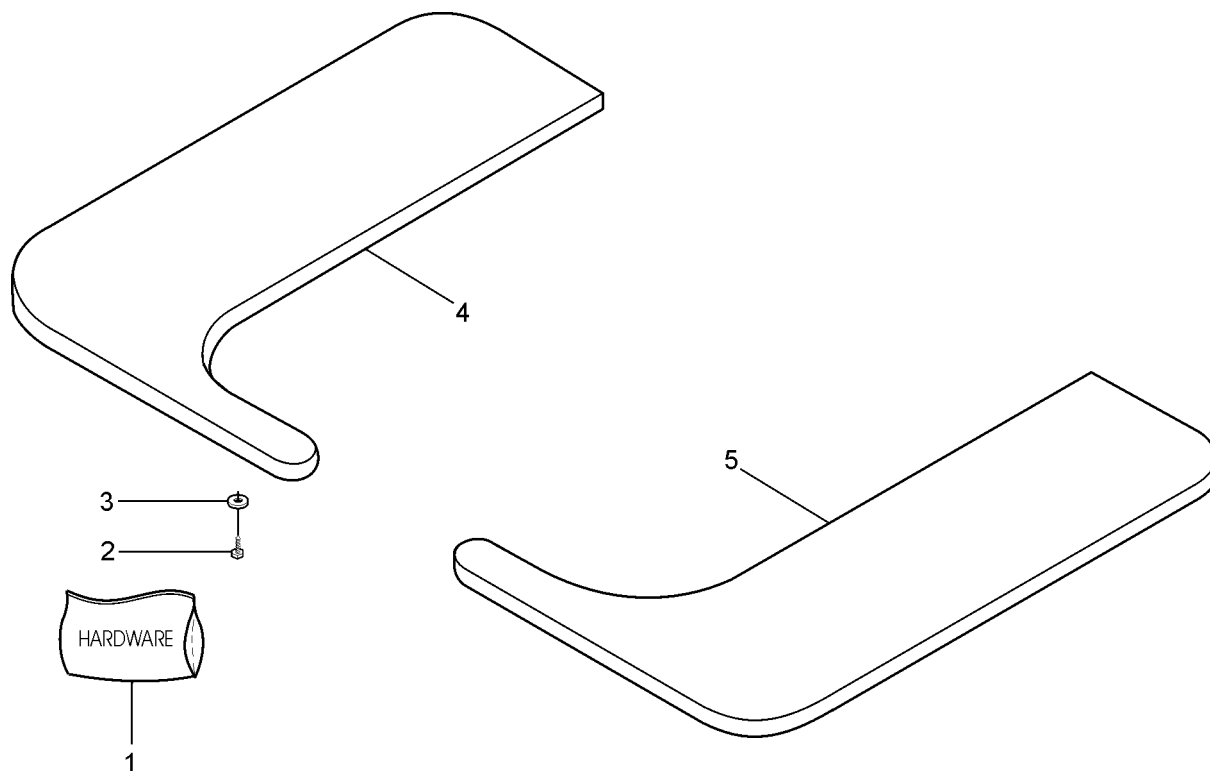
Ref.	Qty.	Part #	Description
1	1	118-66	Switch, Brake Light
2	1	118-67	Boot, Brake Light Switch
3	2	624-06	Light, Brake
4	1	624-11	Wire Harness, Brake Light
5	1	624-10HDW	Hardware Kit includes the following:
6	6	100-64	Tie Wrap - 5.5" Black
7	4	112-56	T/S Pan Hd Phil #10 x 3/4 A Screw Zn
8	3	120-13	Rivet - 3/16 x 5/8 Black
9	3	126-93	Clamp, Nylon Wire - 1/2" ID
10	1	128-11	Spring, .312 OD x .244 ID x 5.0"
11	2	118-30	Terminal, Eye - #10

Shipping Weight and Dimensions

1 Piece - 624-10 Brake Light Kit: Dimensional Weight: 2 lbs.; Dimensions: 10" x 8" x 3.5";
Actual Weight: 2 lbs.



625-10 Rear Mud Flaps



Ref.	Qty.	Part #	Description
1	1	625-10HDW	Hardware, Mud Flap Kit (includes Ref. 2 & 3)
2	15	112-45	THMS PHIL T/S 10" x 1"
3	15	108-42	Flatwasher, 7/32" id x 1" od x 1/16" thk.
4	1	625-11	Mudflap, LH.
5	1	625-12	Mudflap, RH.

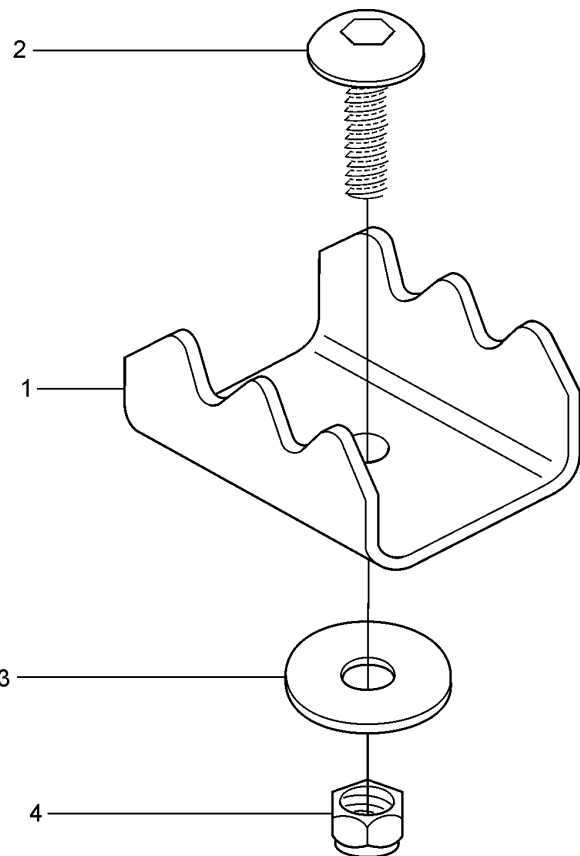
Shipping Weight and Dimensions

1 Box - Dimensional Weight: 4.23 lbs.; Dimensions: 38" x 18-1/2" x 1";
Actual Weight: 5 lbs.



625-20 Ice Cleats (6x6)

Fits 6x6 Super Tracks



Ref.	Qty.	Part #	Description
1	28	625-21	Ice Cleat
2	28	112-33	BHCS 3/8-16 x .875 Gr8
3	28	108-26	Washer .43 x 1.02 x .09 Zn
4	28	117-14	Locknut, Centre 3/8-16

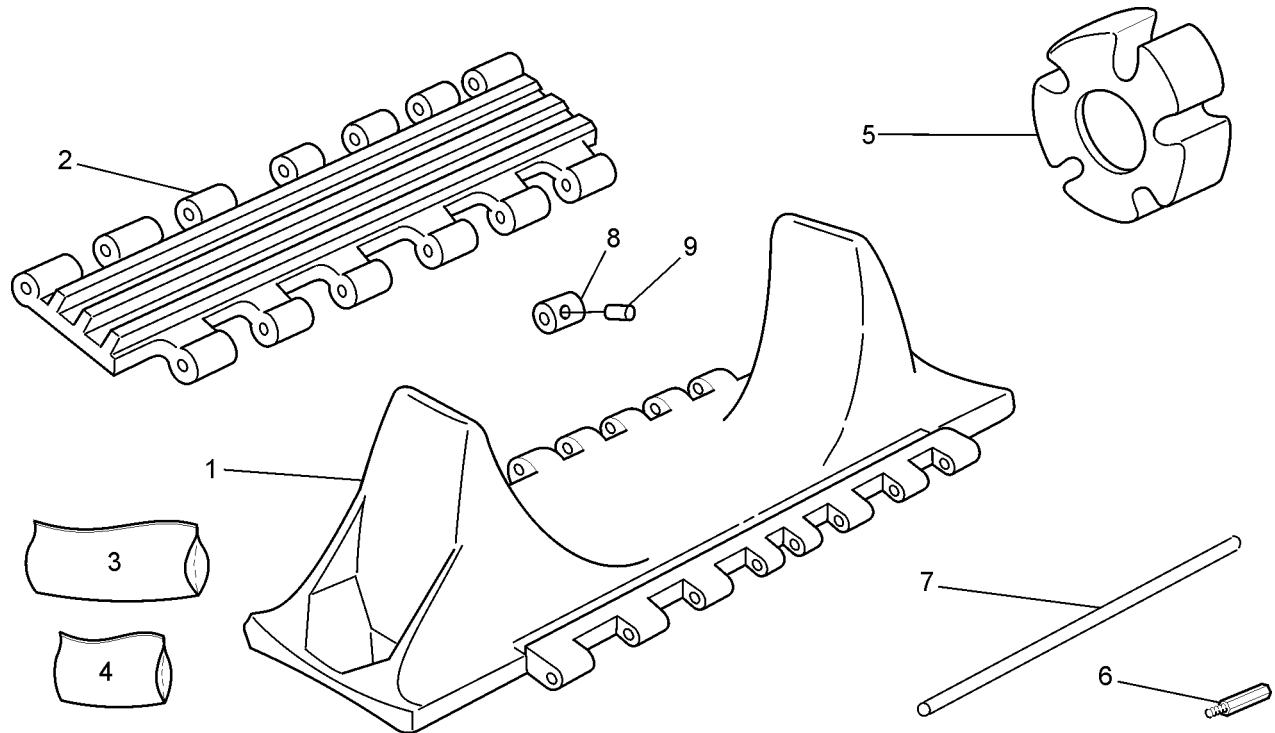
Shipping Weight and Dimensions

625-20

1 Box - Dimensional Weight: 3 lbs.; Dimensions: 8" x 6" x 8"; Actual Weight: 8 lbs.



625-43 Super Tracks



Ref.	Qty.	Part #	Description
1	62	625-42	Super Track Segment
2	2	615-21	Half Segment - Track - Plastic
3	1	615-02-6	Track Pin Set (66 pcs.) - 6x6
4	1	615-12-6	Bushing Set (66 pcs.) - 6x6 c/w Set Screws (68 pcs.)
5	6	605-77	Axle Extension
6	32	126-08	Extension Stud

Extra parts included: 615-02 pins (7), 615-12 lock bushing (8), 112-68 SHSS 1/4" - 20 x 1/4" (9) and 2 of 126-08 Extension Stud (6), for future replacement.

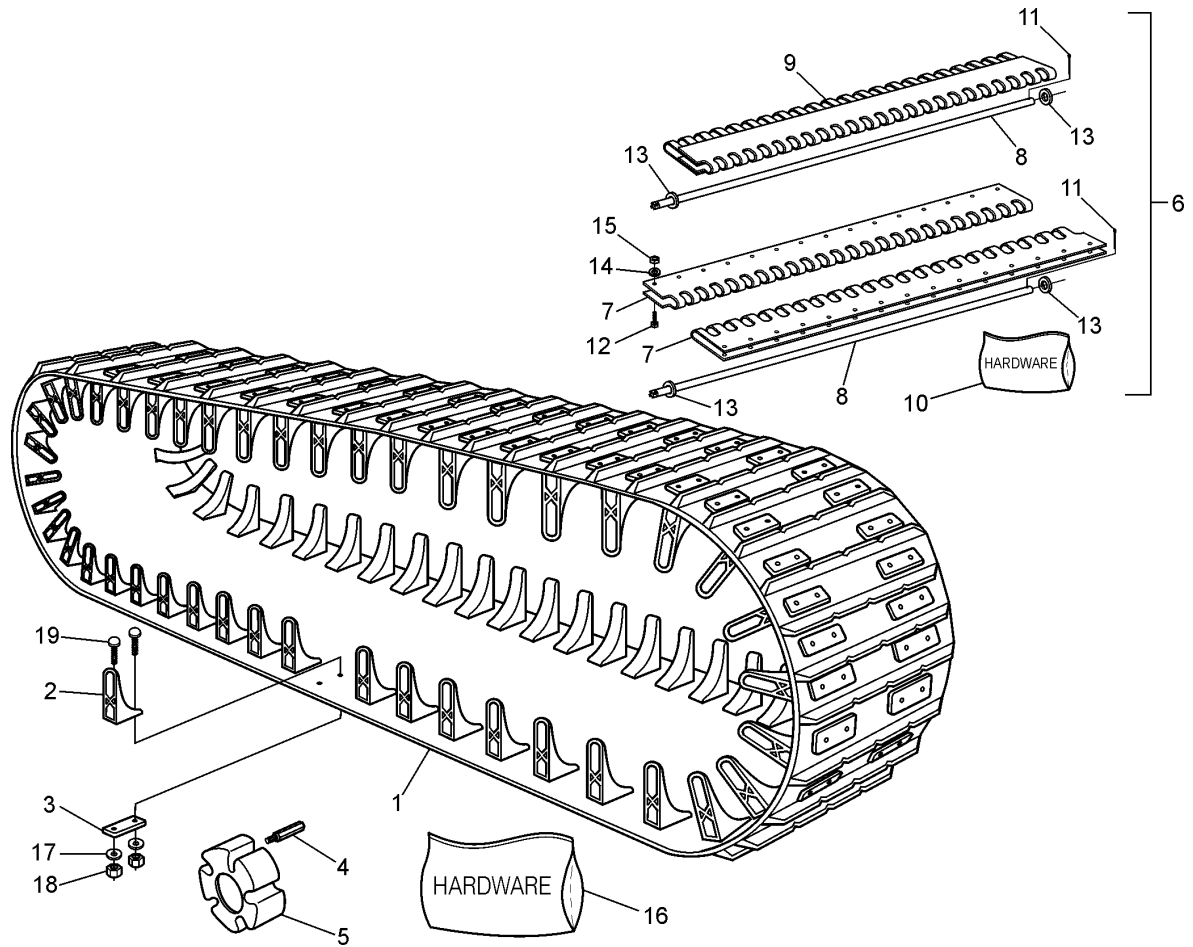
Shipping Weight and Dimensions

4 Boxes 625-42 Super Track - Dimensional Weight: 38 lbs. each; Dimensions: 22" x 20" x 14" each;
Actual Weight: 29 lbs. each

1 Box (10 pcs. 625-42, 6 pcs. 605-77, 30 pcs. 126-08, 1 pc. 615-02-6, 1 pc. 615-12-6, 2 pcs. 615-21)
Dimensional Weight: 37 lbs.; Dimensions: 22" x 20" x 14"; Actual Weight: 44 lbs.



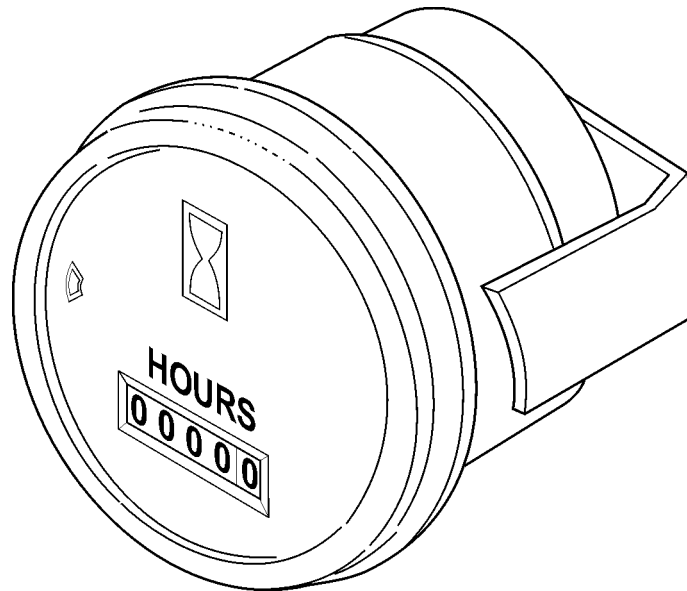
625-50 Rubber Tracks



Ref.	Qty.	Part #	Description
1	2	825-51	Track, Rubber - Argo
2	152	825-52-1	Guide, Track - Argo - Nylon
3	152	825-53	Plate, Track Backing - Argo
4	32	126-08	Extension Stud, Plated
5	6	605-77	Extension Axle
6	1	825-55	Hinge Set & Extension - 18" Rubber Tracks includes the following:
7	4	825-54	Hinge, Track Lacing - 18"
8	4	825-56	Pin, Track - 18"
9	2	825-57	Track Extension - 2 x 18"
10	1	825-55HDW	Hardware Kit includes the following:
11	8	100-100	Pin, Cotter 1/8 x 3/4 Zn
12	60	103-08	HHCS 1/4-20 x 1.0 Zn
13	8	108-23	Washer .42 x .81 x .06 Gr8 Zn DI-C
14	60	108-08	Washer .28 x .62 x .07 Zn
15	60	117-27	Locknut, Nylon 1/4-20 Zn
16	1	825-50HDW	Hardware Kit includes the following:
17	360	108-24	Washer, .34 x .70 x .06 Zn
18	360	117-21	Locknut, Nylon 5/16-18"
19	360	112-155	Bolt, Carriage



632-15 Hourmeter



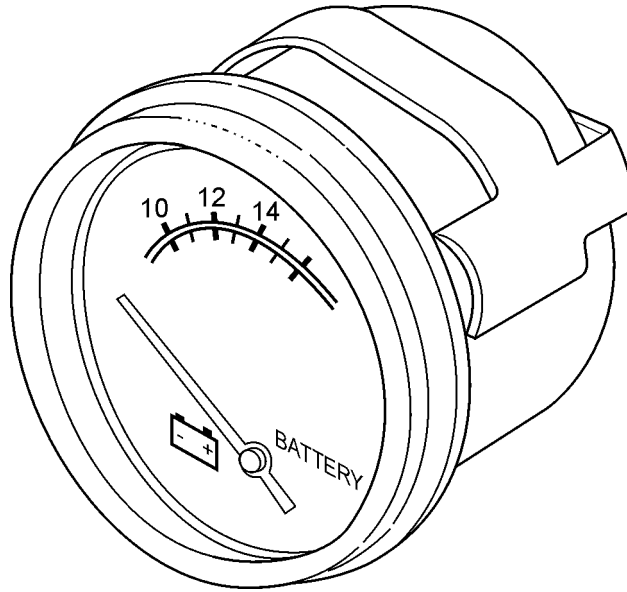
Ref.	Qty.	Part #	Description
1	1	632-15	Hourmeter

Shipping Weight and Dimensions

1 Box - Dimensional Weight: .2 lbs.; Dimensions: 3" x 2 3/4" x 3 1/4"; Actual Weight: .5 lbs.



633-10 Voltmeter



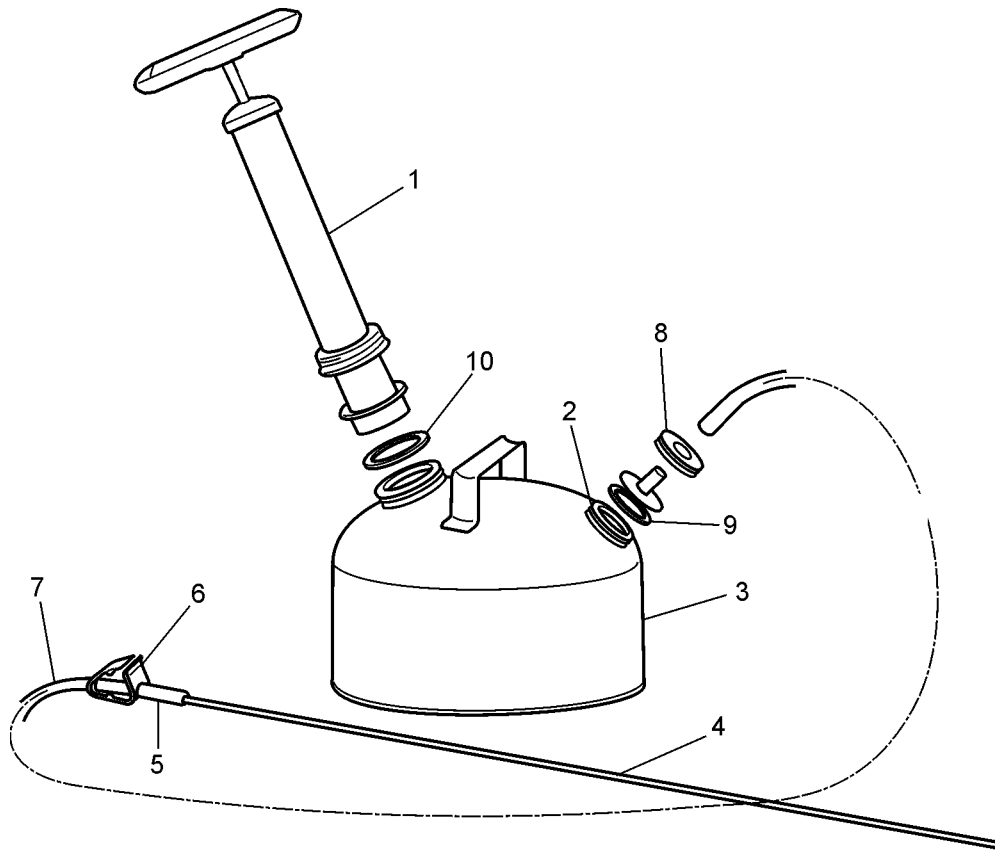
Ref.	Qty.	Part #	Description
1	1	633-10	Voltmeter

Shipping Weight and Dimensions

1 Box - Dimensional Weight: .2 lbs.; Dimensions: 3" x 2 3/4" x 3 1/4"; Actual Weight: .5 lbs.



638-02 Oil Change Pump



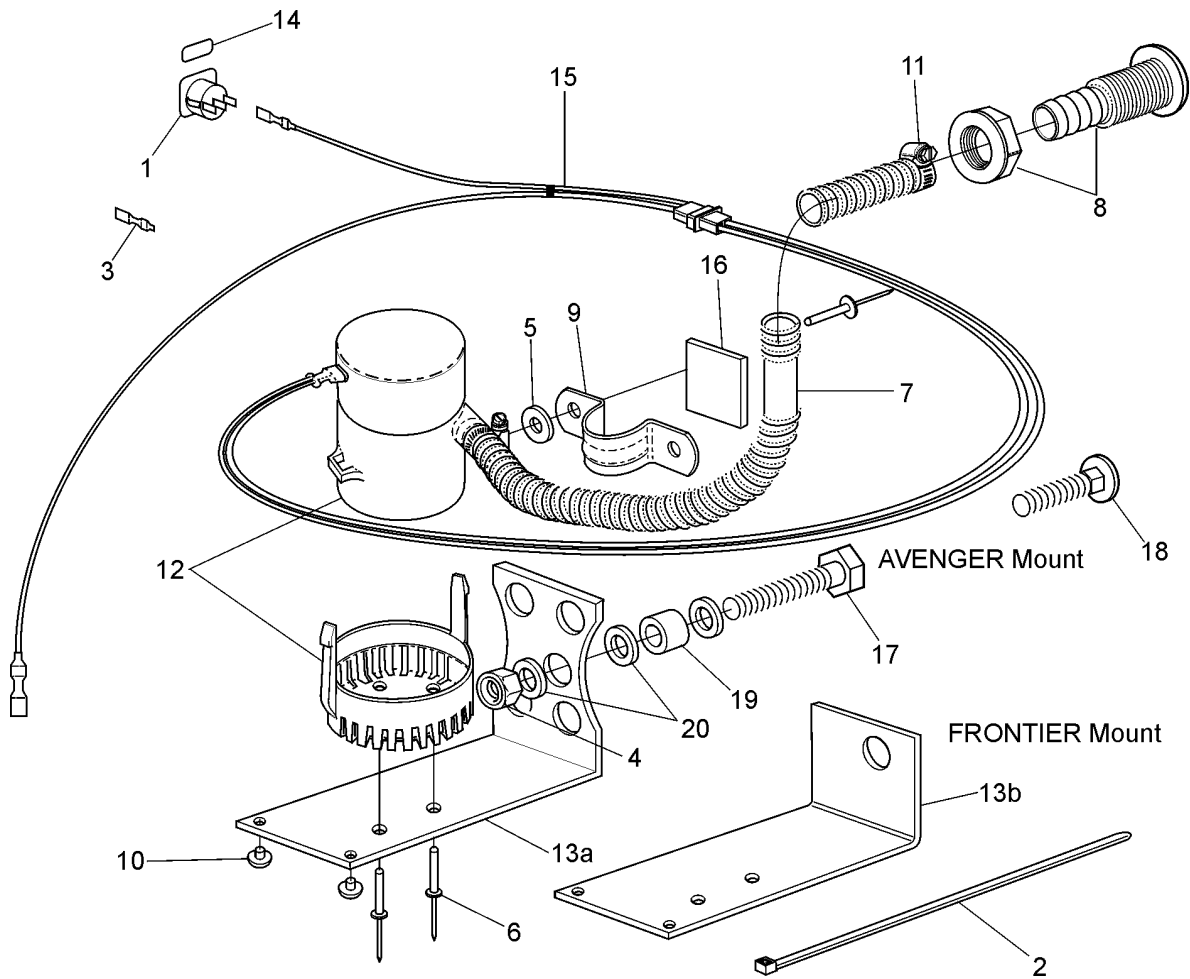
Ref.	Qty.	Part #	Description
1	1	638-02	Vacuum Pump (includes Ref. 2-10 - components not sold separately)

Shipping Weight and Dimensions

1 Box; Dimensional Weight: 10lbs.; Dimensions: 12" x 12" x 12"; Actual Weight: 6 lbs.



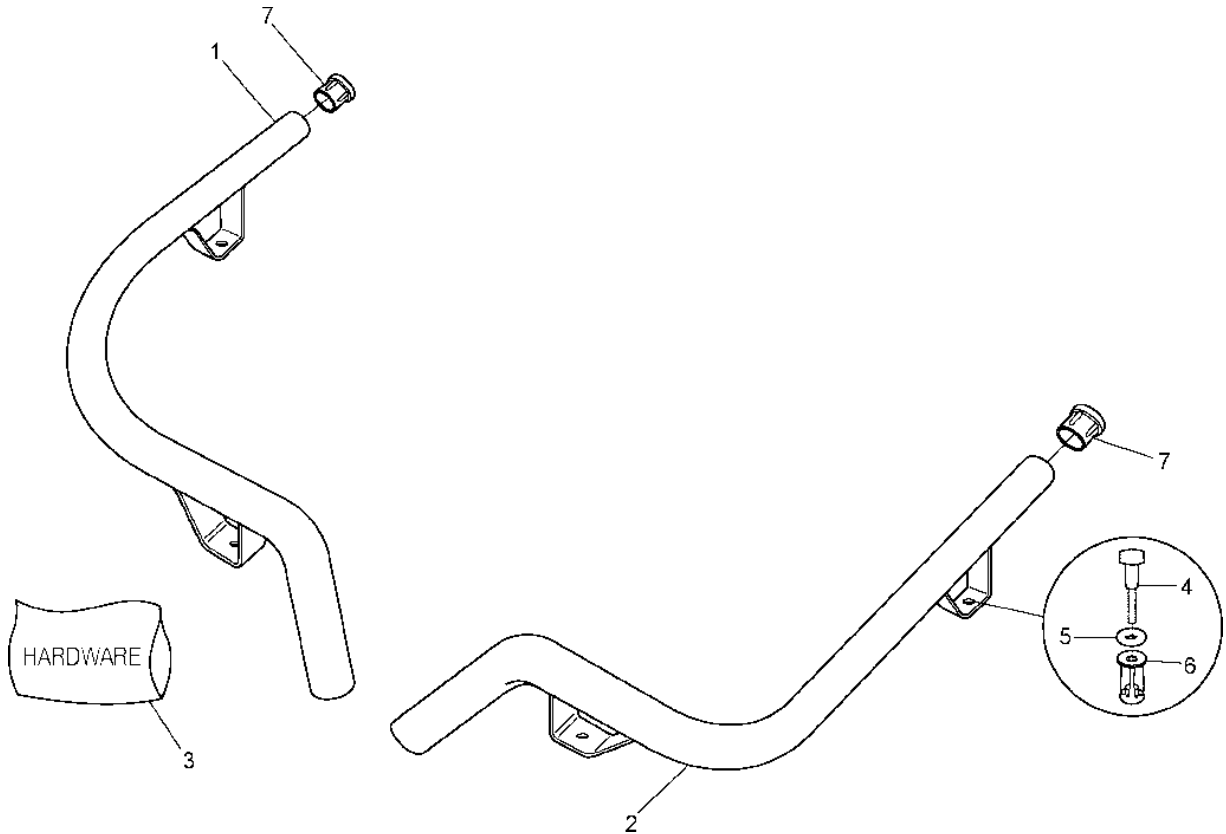
638-30 Bilge - Avenger & Frontier



Ref.	Qty.	Part #	Description
1	1	613-121	Switch, Illuminated, Red
2	10	100-64	Tie Wrap
3	1	118-64	Terminal, Female 1/4 22-18 Ins
4	2	117-29	Locknut, Nylon
5	4	120-04	Washer, 3/16"
6	4	120-13	Rivet, 3/16 x 1"
7	1	638-05	Flex Hose, 3'
8	1	638-08	Hull Fitting
9	1	638-11	1" Pipe Strap
10	2	638-14	Rubber Bumper
11	2	638-16	Gear Clamp
12	1	638-18	Bilge Pump & Wire ASM
13a	1	638-19	Bracket, Bilge Pump
13b	1	638-41	Bracket, Bilge Pump
14	1	100-119	Sticker, Bilge Pump Switch
15	1	638-28	Wire Harness w/3 amp fuse
16	1	702-06	Foam Cushion
17	1	112-163	HHCS 3/8-16 x 2.0 Gr5 Zn
18	1	103-88	C/Bolt 3/8-16 x 1.0 Gr5 Zn
19	1	603-66	Spacer, .500 ID x .625 Lg.
20	3	108-15	Washer .42 x .81 x .05 Zn



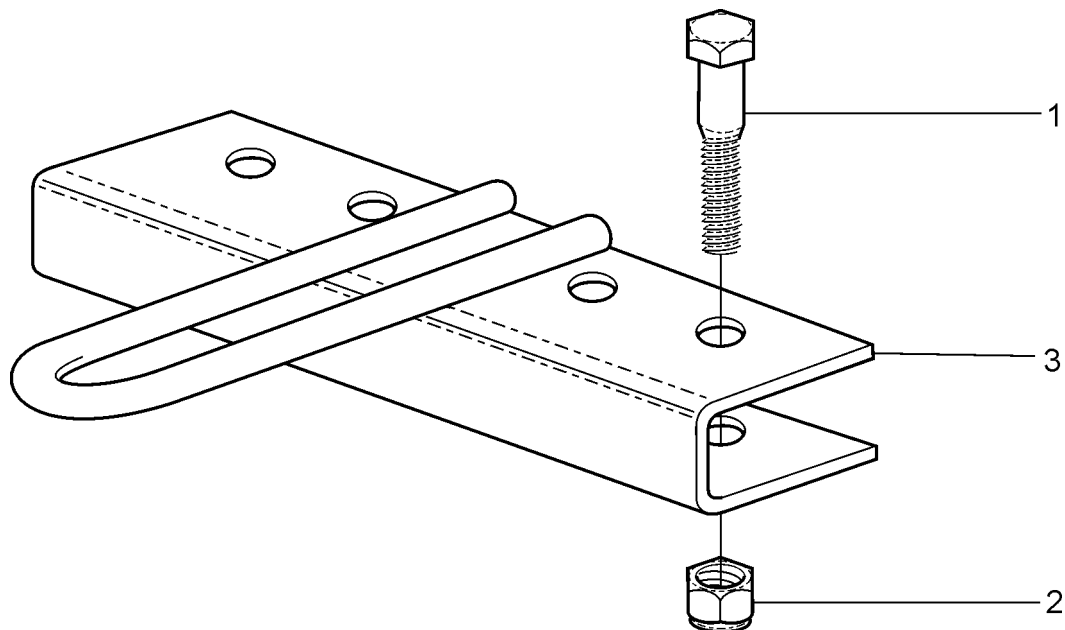
639-26 Frontier Handrails



Ref.	Qty.	Part #	Description
1	1	639-27	Handrail Assembly - Frontier - Left
2	1	639-28	Handrail Assembly - Frontier - Right
3	1	639-20HDW	Hardware Kit includes:
4	6	108-08	Washer, 1/4"
5	6	117-53	Nut, Jack 1/4-20 8L-JNS Zn
6	6	103-97	HHCS 1/4-20 x 1-1/4"
7	2	639-25	End Plug



642-00 Tow Hook



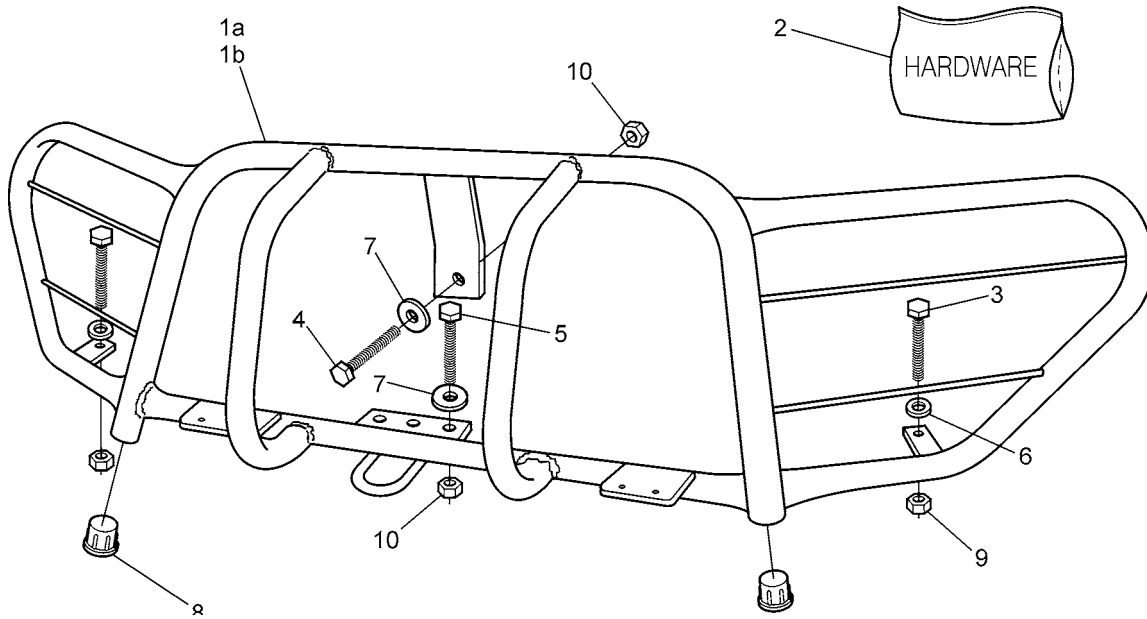
Ref.	Qty.	Part #	Description
1	4	103-68	HHCS 3/8-16x2.0 Gr5 Zn (not sold separately)
2	4	117-29	Locknut, Nylon 3/8-16 Zn (not sold separately)
3	1	642-03	Tow Hook ASM

Shipping Weight and Dimensions

1 Box - Dimensional Weight: .5 lb.; Dimensions: 8-1/2" x 2-1/2" x 4"; Actual Weight: 2.5 lb.



642-49 Avenger Brushguard



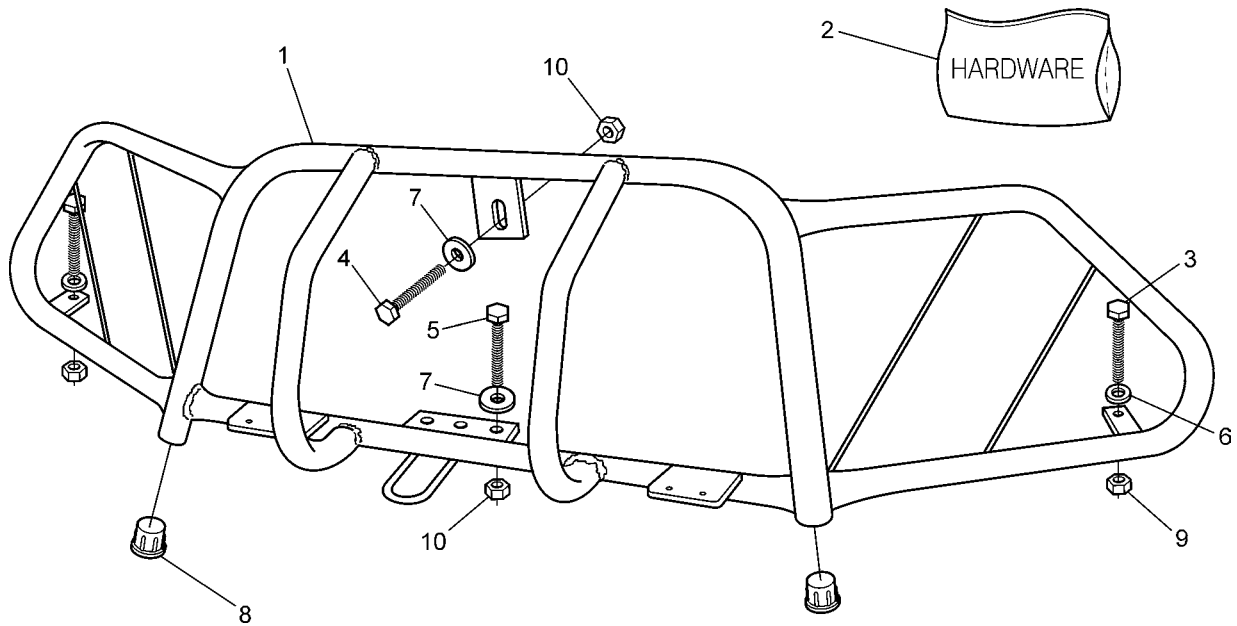
Ref.	Qty.	Part #	Description
1	1	642-51	Brushguard, Avenger w/tabs
2	1	642-20HDW	Hardware Kit comprised of:
3	2	103-57	HHCS 5/16-18 x 1.5 Gr5 Zn
4	1	103-76	HHCS 3/8-16 x 1.75 Gr5 Zn
5	3	103-82	HHCS 3/8-16 x 1.5 Gr5 Zn
6	2	108-12	Washer .34 x 1.00 x .06 Zn
7	7	108-18	Washer .40 x 1.37 x .12 Zn
8	2	113-13	Plug, 1-1/4" Tube- Avg Brushguard
9	2	117-21	Locknut, Nylon 5/16-18 Zn
10	4	117-29	Locknut, Nylon 3/8-16 Zn

Shipping Weight and Dimensions

1 piece Brush Guard Kit - Dimensional Weight: 48 lbs.; Dimensions: 51.5" x 14" x 11";
Actual Weight: 12 lbs.



642-50 Frontier Brushguard



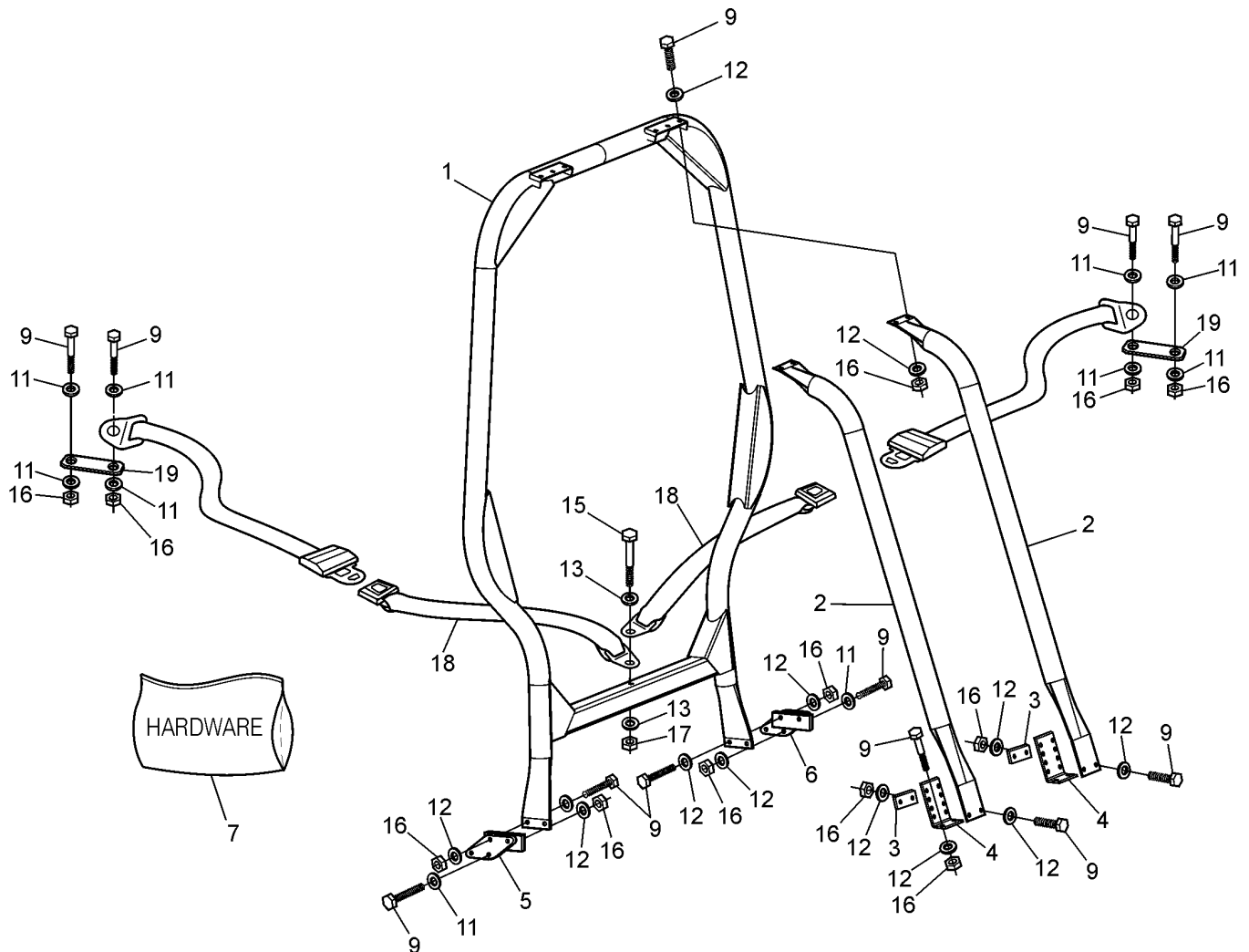
Ref.	Qty.	Part #	Description
1	1	642-52	Brushguard, Frontier w/tabs
2	1	642-20HDW	Hardware Kit comprised of:
3	2	103-57	HHCS 5/16-18 x 1.5 Gr5 Zn
4	1	103-76	HHCS 3/8-16 x 1.75 Gr5 Zn
5	3	103-82	HHCS 3/8-16 x 1.5 Gr5 Zn
6	2	108-12	Washer .34 x 1.00 x .06 Zn
7	7	108-18	Washer .40 x 1.37 x .12 Zn
8	2	113-13	Plug, 1-1/4" Tube- Avg Brushguard
9	2	117-21	Locknut, Nylon 5/16-18 Zn
10	4	117-29	Locknut, Nylon 3/8-16 Zn

Shipping Weight and Dimensions

1 piece Brush Guard Kit - Dimensional Weight: 48 lbs.; Dimensions: 51.5" x 14" x 11";
Actual Weight: 12 lbs.



648-15 Roll Bar - 6x6



Ref.	Qty.	Part No.	Description	Ref.	Qty.	Part No.	Description
1	1	648-20	Roll Bar, Welded Assembly	11	20	108-12	Washer, .34x1.02x.06"
2	2	648-21	Brace, Rear	12	24	108-24	Washer, .34x.70x.06 Zn
3	2	648-27	Plate, Attachment	13	2	108-26	Washer, .43x1.02x.09 Zn
4	2	648-28	Plate, Angle - Rear Brace	14	8	112-01	HHCS 5/16-18x3/4 Gr5 Zn
5	1	648-31	Bracket Ass'y - Right, Roll Bar Bracket Kit	15	1	103-53	HHCS 3/8-16x3.0 Gr5 Zn
6	1	648-30	Bracket Ass'y - Left, Roll Bar Bracket Kit	16	24	117-21	Locknut, Nylon 5/16-18 Zn
7	1	648-15HDW	Hardware Kit comprised of:	17	1	117-29	Locknut, Nylon 3/8-16 Zn
9	24	103-38	HHCS 5/16-18x1.25" Gr5	18	2	848-56	Seat Belt Assembly c/w Label
				19	2	848-57	Anchor, Seat - Belt

Note:

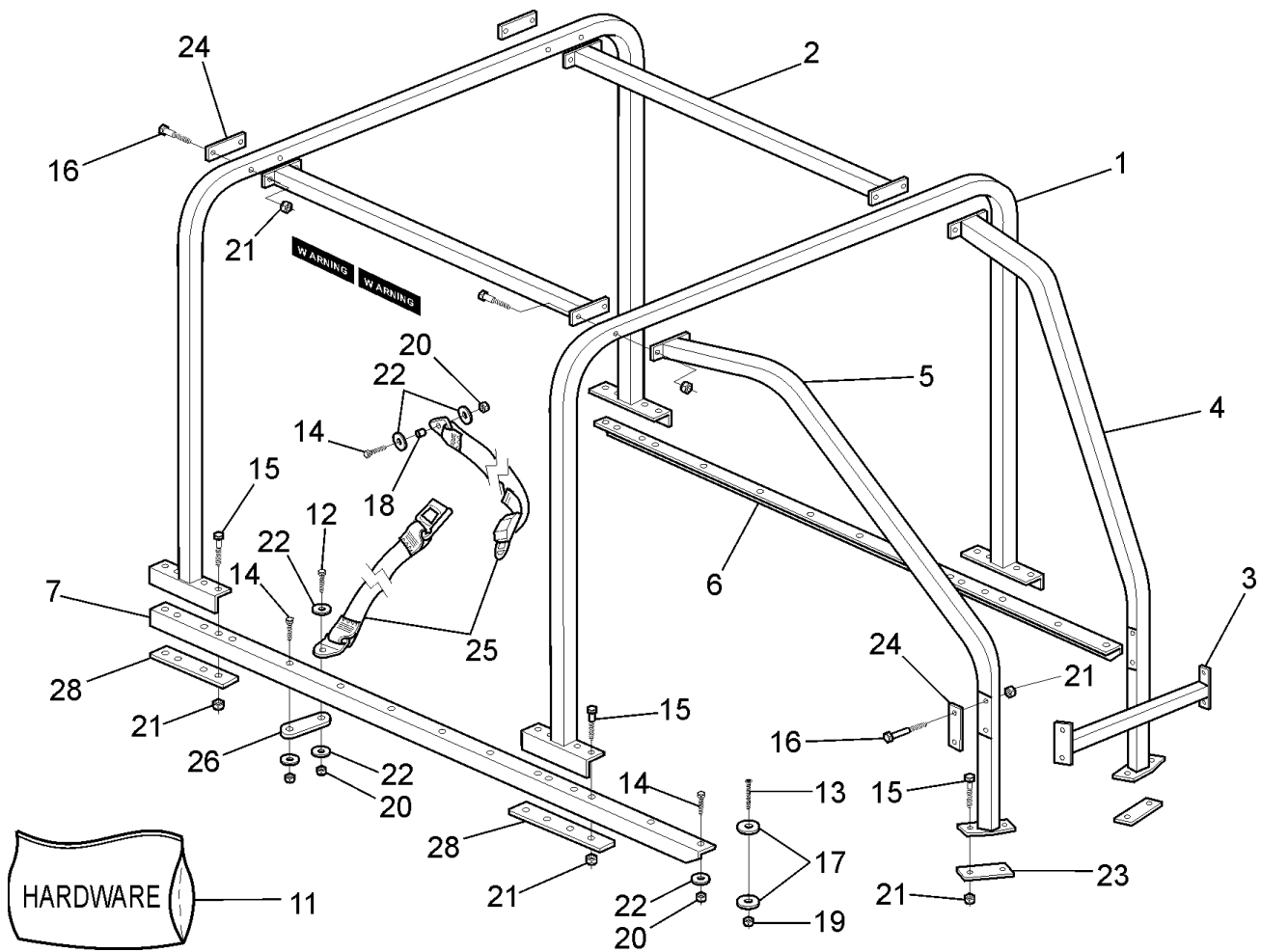
Vehicles affected: Argo 6x6 Model #'s V698-58, V699-55, V699-51 & Frontier

Shipping Weight and Dimensions

1 Box - Dimensional Weight: 88 lbs.; Dimensions: 61" x 48" x 5"; Actual Weight: 50 lbs.



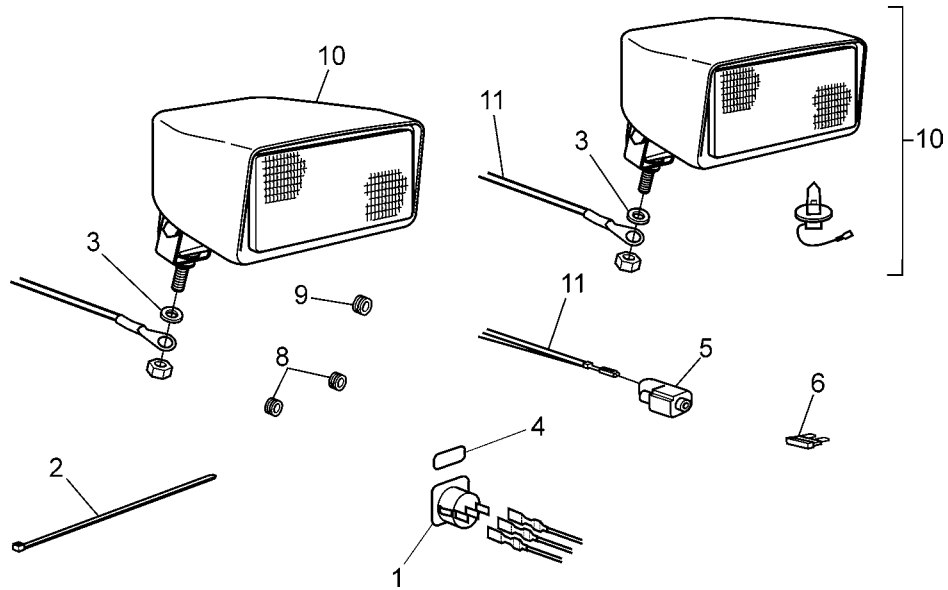
648-47 Roll Over Protective Structure (ROPS)



Ref.	Qty.	Part No.	Description	Ref.	Qty.	Part No.	Description
1	2	849-41	Hoop Assembly	17	8	108-01	Washer, Fender 1/4 BS x 1.25 OD
2	2	648-41	Tube Assembly - Top	18	6	108-64	Spacer, 3/8 x 1/2 x 3/8"
3	1	849-91	Tube Assembly - Front	19	4	117-27	Locknut, Nylon 1/4-20 Zn
4	1	849-93	Brace Assembly - Front Left	20	30	117-29	Locknut, Nylon 3/8-16 Zn
5	1	849-94	Brace Assembly - Front Right	21	32	117-66	Locknut, Nylon 1/2-13 Zn
6	1	648-43	Angle Iron - Left	22	38	108-26	Washer .43 x 1.02 x .09 Zn
7	1	648-44	Angle Iron - Right	23	2	848-54	Flange, Bumper - Front
11	1	849-90HDW	Hardware Kit comprised of:	24	4	848-55P	Flange, Tube
12	4	103-34	HHCS, 3/8-16 x 1.25 Gr5 Zn	25	2	848-56	Seatbelt Assemblies
13	4	103-03	PHMS 1/4 20 x 1.50 Zn	26	2	848-57	Strap, Belt Anchor
14	26	103-76	HHCS, 3/8-16 x 1.75 Gr5 Zn	27	1	849-77	Trim, Vinyl - 10"
15	20	112-66	HHCS, 1/2-13 x 2.0 Gr5 Zn	28	4	848-53	Flange, Bumper - Side
16	12	112-157	HHCS, 1/2-13 x 3.25 Gr5 Zn				



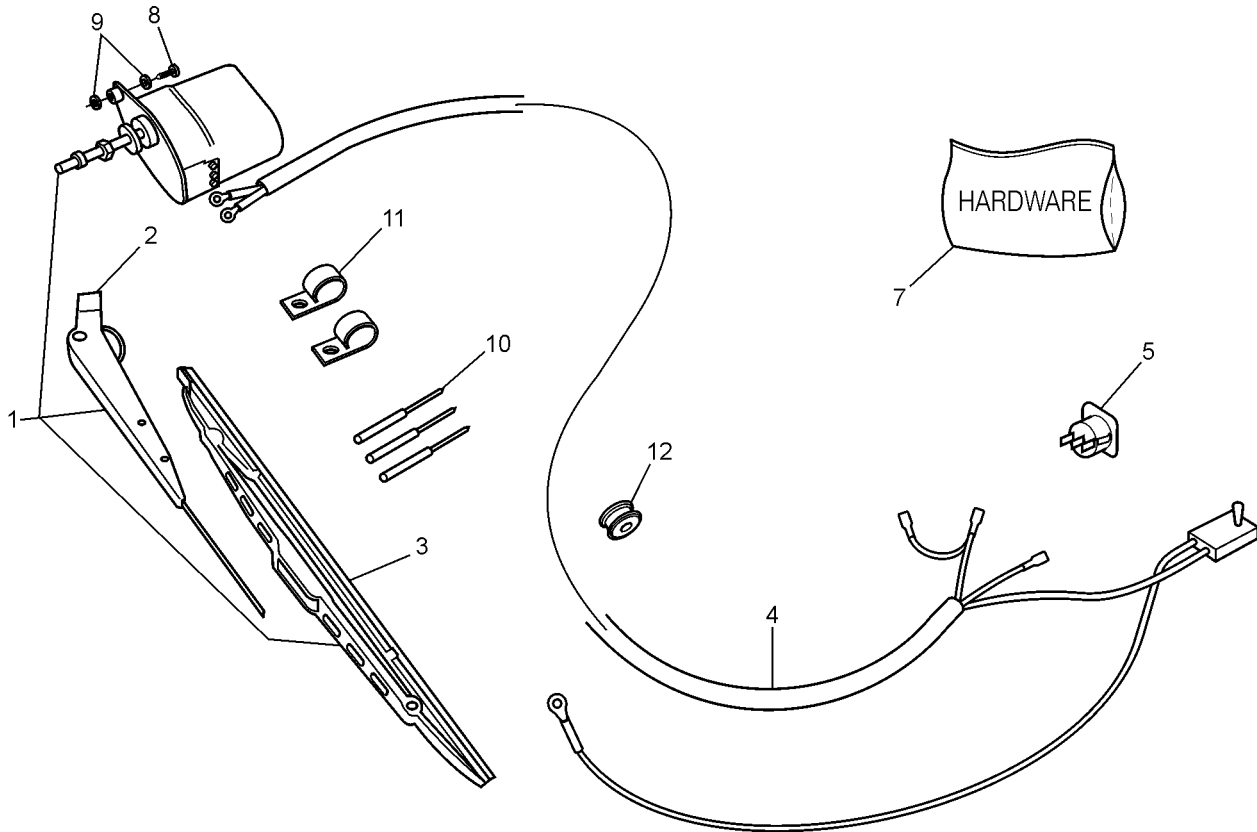
648-50 Roll Bar Light



Ref.	Qty.	Part No.	Description
1	1	613-121	Switch, Illuminated, Red
2	8	100-64	Tie Wrap - 5.5" - Black
3	2	108-24	Washer .34x.70x.06 Zn
4	1	100-120	Sticker, Light Switch
5	1	118-04	Connector, T-Tap 14-18AW
6	1	118-53	Fuse, 20A 2-Prong (AT020)
8	2	128-02	Grommet, Rubber - 5/32"
9	1	128-03	Grommet, Rubber - 7/32"
10	2	613-81	Light, Rear Cargo
11	1	613-89	Wire Harness, Light Kit



648-70 Windshield Wiper



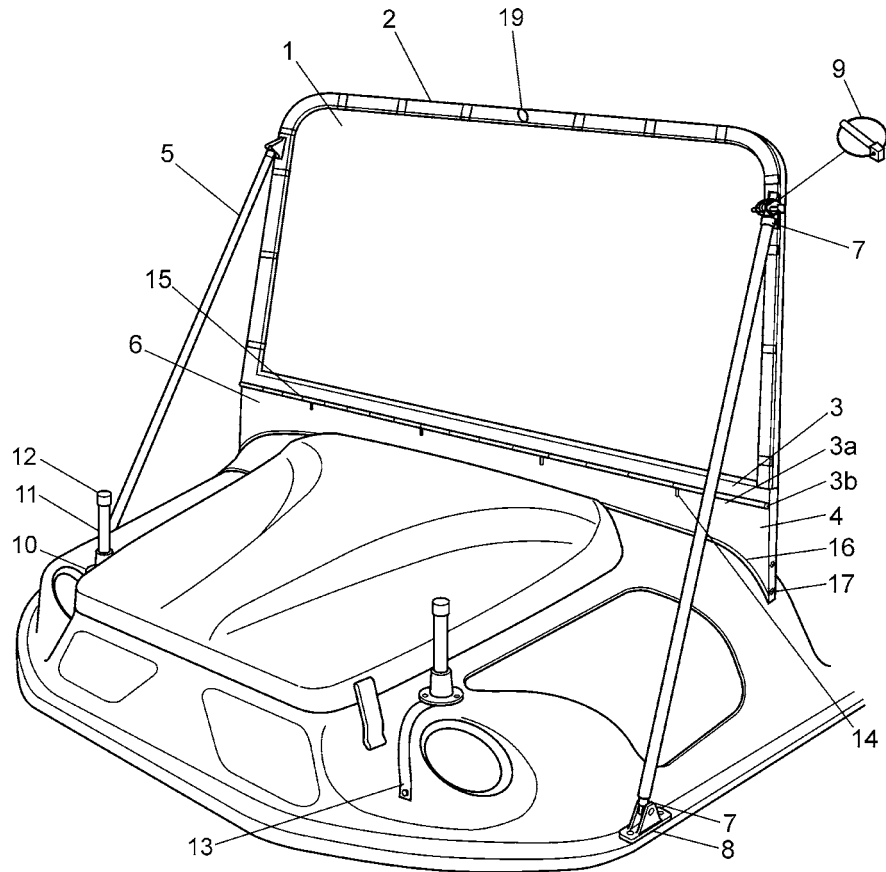
Ref.	Qty.	Part #	Description
1	1	648-71	Wiper Motor & Blade Kit
2	1	648-76	Blade, Wiper 14" - Argo
3	1	648-74	Arm, Wiper - Argo
4	1	648-72	Wire Harness, Wiper Motor - Argo
5	1	613-121	Switch, Illuminated, Red
7	1	648-70HDW	Hardware Kit - Wiper Kit - Argo Includes:
8	1	112-110	Screw, Self Drill 12-14 x 1"
9	2	108-08	Washer .28x.62x.04 Zn
10	9	120-13	Rivet - 3/16 x 5/8 Black
11	9	126-93	Clamp, Nylon Wire - 1/2" ID
12	1	127-132	Grommet, Rubber
	1	118-68	Terminal, 3/16 Male Blade 16-14 Awg
	1	118-30	Terminal, Eye - #10
	2	118-64	Terminal, Female-1/4 22-18 Ins
	1	118-71	Terminal, Piggyback, Disconnect
	1	118-32	Terminal, 1/4" Male 22-18 Awg

Shipping Weight and Dimensions

1 Box 648-70 Wiper Kit - Dimensional Weight: 4 lbs.; Dimensions: 10.5" x 10.5" x 6"; Actual Weight: 3.5 lbs.



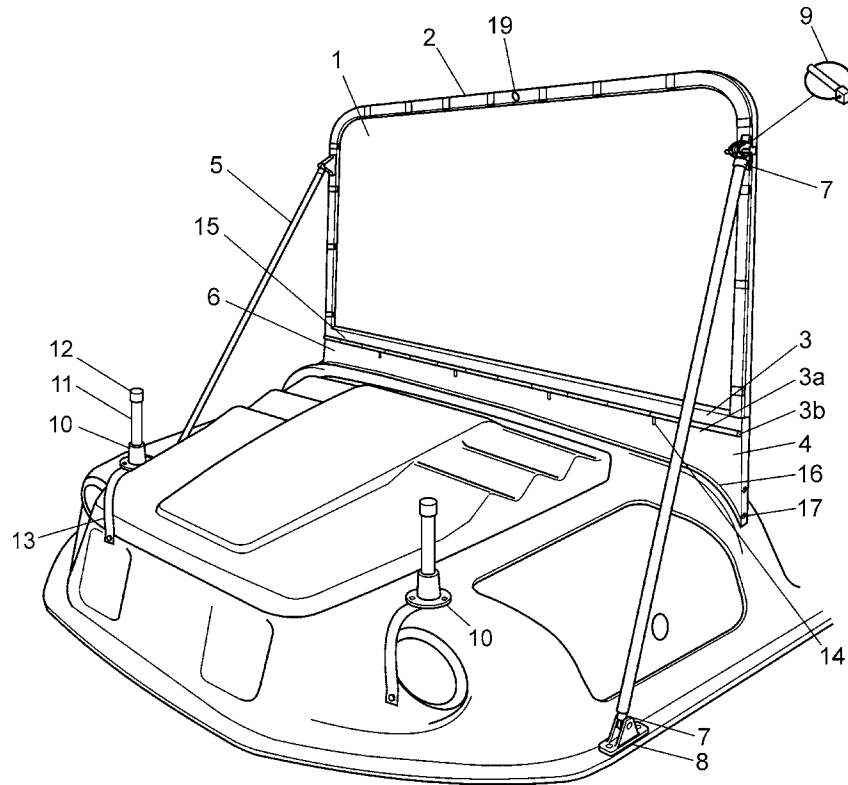
648-79 Windshield - Frontier



Ref.	Qty.	Part #	Description
1	1	002905-1C-FRT-A	Windshield, Acrylic, Frontier
2	1	002905-2B-FRT	Top Bar (Black)
3	1	002905-3B-FRT	Hinge Set, Top (Black)
3a	1	002905-3A'-B-FRT	Hinge Set, Bottom and Gasket Inside
3b	1	002904-3B-B	Rod, Aluminum
4	1	002905-4B-FRT	Complete Hinge Set (Black)
5	2	002904-5B	Support Arm (Black)(Complete with socket ends)
6	1	002905-6B-FRT	Acrylic Base and Gasket
7	4	002904-7B	Socket End (Black) and Gasket
8a	2	002904-8A-B	Angled Deck Bracket For Pin (Black) And Gasket
8b	2	002904-8B-B	Straight Deck Bracket For Pin (Black)
8c	2	002904-8C-B	Straight Deck Bracket For Screw (Black)
9	2	627-03	Quick Pin
10	2	002904-10B	Round Base (Black)
11	2	002904-11B	Tube (Black)
12	2	002904-12B	PVC Black Cap
13	2	002904-13B	Strap (Black)
14	5	002905-14-FRT	Bolts, Stainless Steel 5" + Washer + Nut
15	1	002905-15-FRT	Gasket Around Glass
16	1	002905-16-FRT	Gasket - Windshield to Body
17	5	002904-17	#8 x 1-1/2" Phillips Head Screw
18	15	002904-18	#8 x 1" Phillips Head Screw (Not Illustrated)
19	2	002904-19	PVC Black Cap Hole Wiper
20	2	627-10	Dome Stud #8 x 3/8" #688



648-80 Windshield - Avenger



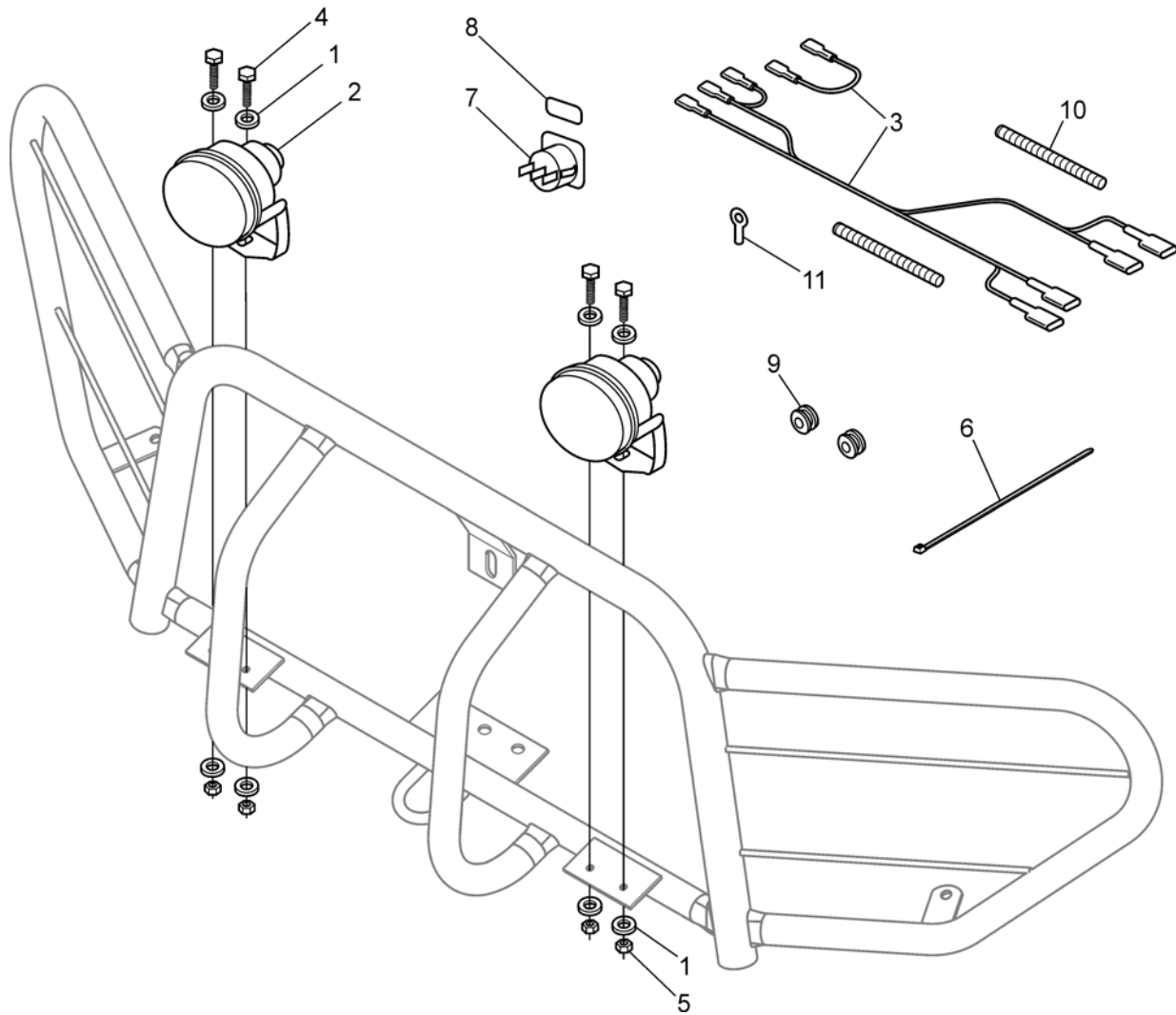
Ref.	Qty.	Part #	Description
1	1	002905-1C-AVG-A	Windshield - Acrylic - Avenger
2	1	002905-2B-AVG	Top Bar (Black)
3	1	002905-3B-AVG	Hinge Set, Top (Black)
3a	1	002905-3A'-B-AVG	Hinge Set, Bottom and Gasket Inside
3b	1	002905-3B'-B-AVG	Rod, Aluminum
4	1	002905-4B-AVG	Complete Hinge Set (Black)
5	2	002904-5B	Support Arm (Black)(Complete with socket ends)
6	1	002905-6B-AVG	Acrylic Base and Gasket
7	4	002905-7B-AVG	Socket End (Black) and Gasket
8a	2	002904-8A-B	Angled Deck Bracket For Pin (Black) And Gasket
8b	2	002904-8B-B	Straight Deck Bracket For Pin (Black)
8c	2	002904-8C-B	Straight Deck Bracket For Screw (Black)
9	2	627-03	Quick Pin
10	2	002904-10B	Round Base (Black)
11	2	002904-11B	Tube (Black)
12	2	002904-12B	PVC Black Cap
13	2	002904-13B	Strap (Black)
14	5	002905-14-AVG	Bolts, Stainless Steel 3 1/2" + Washer + Nut
15	1	002904-15	Gasket Around Glass
16	1	002905-16-AVG	Gasket - Windshield to Body
17	4	002904-17	#8 x 1-1/2" Phillips Head Screw
18	14	002904-18	#8 x 1" Phillips Head Screw (Not Illustrated)
19	2	002904-19	PVC Black Cap Hole Wiper
20	2	627-10	Dome Stud #8 X 3/8" #688

Shipping Weight and Dimensions

1 piece - Dimensions: 54" x 3" x 28"; Actual Weight: 35 lbs.



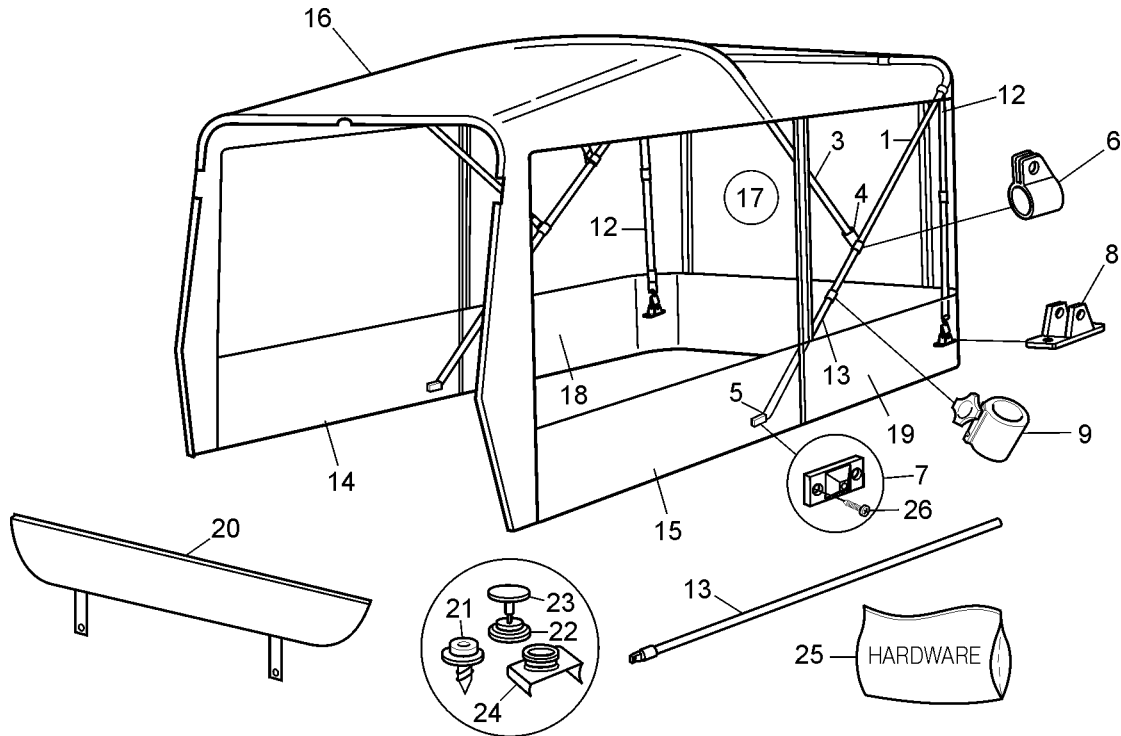
648-82 Argo Auxilliary Light Accessory



Ref.	Qty.	Part #	Description
1	8	120-05	Washer .19 x .50 x .04 Zn
2	2	613-110	Light, Fog
3	1	613-109	Wire Harness, Fog Light
4	4	103-25	PHMS 10-24 x 3/4 Zn
5	4	117-10	Locknut, 10-24 N/I Zn
6	6	100-64	Tie Wrap - 5.5" - Black
7	1	613-121	Switch, Illuminated, Red
8	1	100-120	Sticker, Light Switch
9	2	125-84	Grommet, Rubber
10	9"	810-90RM	Loom, Nylon - .500" ID
11	1	118-30	Terminal, Eye



649-51 Convertible Top - Frontier

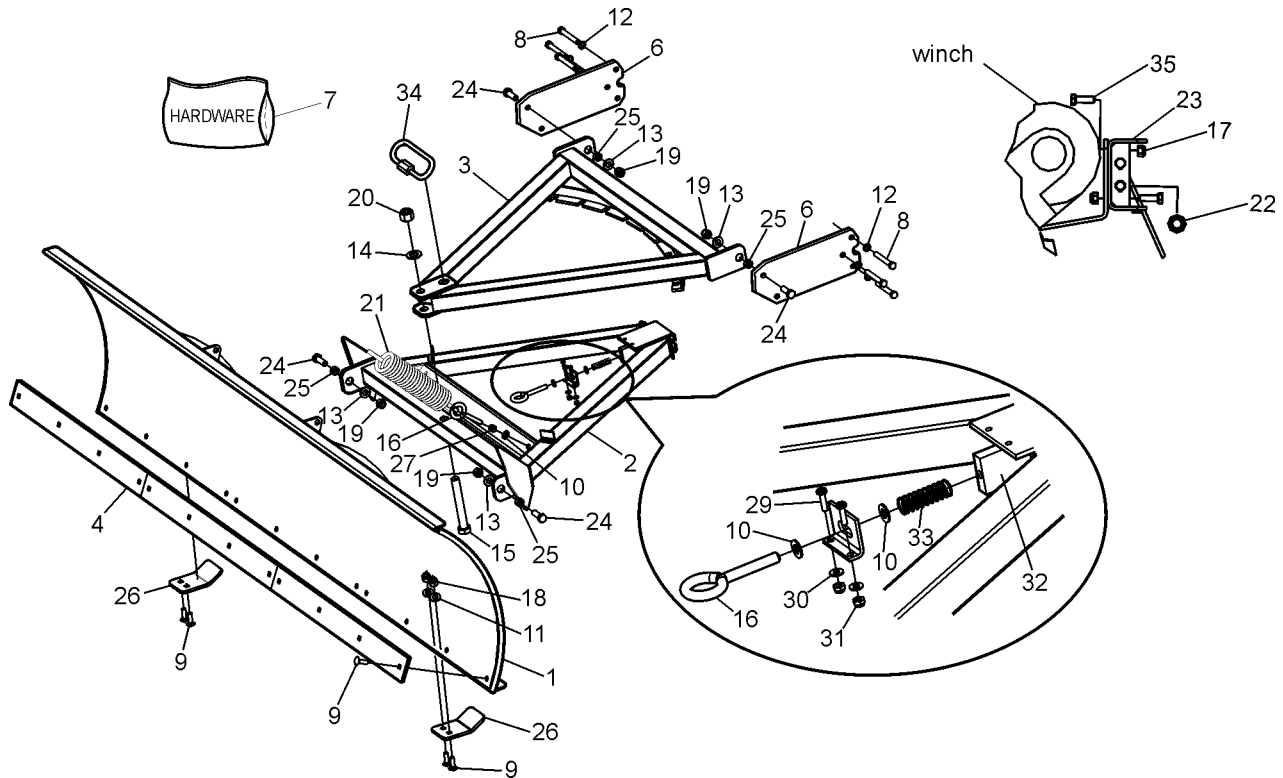


Ref.	Qty.	Part #	Description	Ref.	Qty.	Part #	Description
1	1	AF6F1	Main Frame (bowed @ top)	19	1	649-51 SLB	1/4 panel complete left side - black
3	1	AF6F2	Front Frame	20	1	BOOTAVB	Boot Black (this boot is specific fit for bow in frames)
4	4	849-33	Eye End 7/8"	21*	31	627-10	Dura Screw Stud 3/8" Stainless Steel Screw
5*	2	849-11	Eye End 3/4"	22	59	4003E	Socket nickel plated brass (snap fastener)
6	6	849-32	Jaw slide 7/8"	23	59	4002E	Finish Cap Black finish brass (snap fastener)
7*	2	649-32	Side Mount	24*	16	627-02	Windshield Clip Stud
8*	2	2715E	Deck Mount, large - 10 degree	25	1	AF6F4	Hardware Package
9*	2	649-34	Adjusting Collar	26*	8	2327	Stainless Steel Screw #8 x 1" Phillips head
12	2	ARF5	Tension Strap with hooks				
13	2	ARF4	Adjusting Pole 30"x3/4"				
14	1	649-51 DRB	Door Panel, right side - Black				
15	1	649-51 DLB	Door Panel, left side - Black				
16	1	649-51 RB	Roof Only - Black				
17	1	649-51 RDB	Rear Door, Black (Tail Gate)				
18	1	649-51 SRB	1/4 panel complete right side - Black				

* Part of Hardware Package AF6F4, Item 25



657-21 Avenger Snowplow



Ref.	Qty.	Part #	Description	Ref.	Qty.	Part #	Description
1	1	657-11	Blade assembly	27	2	117-15	Nut, Hex Fin 3/8 – 16 Zn
2	1	657-25	Lower boom assembly	28	1	657-16	Plate, Spring Stop
3	1	657-26	Upper boom assembly	29	2	103-25	PHMS, 10-24 x 3/4 Zn
4	3	657-90	Knife	30	2	120-05	Washer, .19 x .50 x .04 Zn
6	2	657-17	Mounting Bracket - Avenger	31	2	117-10	Locknut, Nylon 10-24 Zn
7	1	657-13HDW	Hardware kit includes the following:	32	1	657-15	Block, Adjustment Pin
8	6	103-74	HHCS, 7/16 - 20 x 3-1/4"	33	1	125-78	Spring, Comp. 0.66 x 1.92
9	16	103-88	Carriage bolt 3/8 - 16 x 1"	34	1	113-15	Link, Quick - 3/8"
10	4	108-15	Washer, Flat 3/8" SAE	35	4	103-46	HHCS, 5/16 - 24 x 1"
11	6	108-26	Washer, Flat 3/8"				
12	6	108-27	Lockwasher, 7/16"				
13	4	108-35	Washer, Flat 1/2"				
14	2	108-53	Washer, Flat 3/4"				
15	1	112-13	HHCS, 3/4 - 10 x 5-1/2" Gr 5				
16	3	112-80	Eye Bolt, 3/8 -16				
17	4	117-04	Locknut, Nylon				
18	18	117-29	Locknut, Nylon 3/8"-16				
19	4	117-57	Locknut, Nylon 1/2"-20				
20	1	117-58	Locknut, Nylon 3/4"-10				
21	2	127-82	Spring, Extension				
22	1	622-56	Roller, Fairlead				
23	1	657-51	Cable Guide Bracket				
24	4	103-21	HHCS, 1/2 - 20x1.5" Gr 5 Zn				
25	4	657-54	Bushing 3/4 OD x 3/8 Lg.				
26	2	657-59	Shoe				

Shipping Weight and Dimensions

1 Box 657-01HDW - Hardware - Dimensional Weight: 5 lbs.; Dimensions: 16" x 8" x 6-1/2"; Actual Weight: 32 lbs.

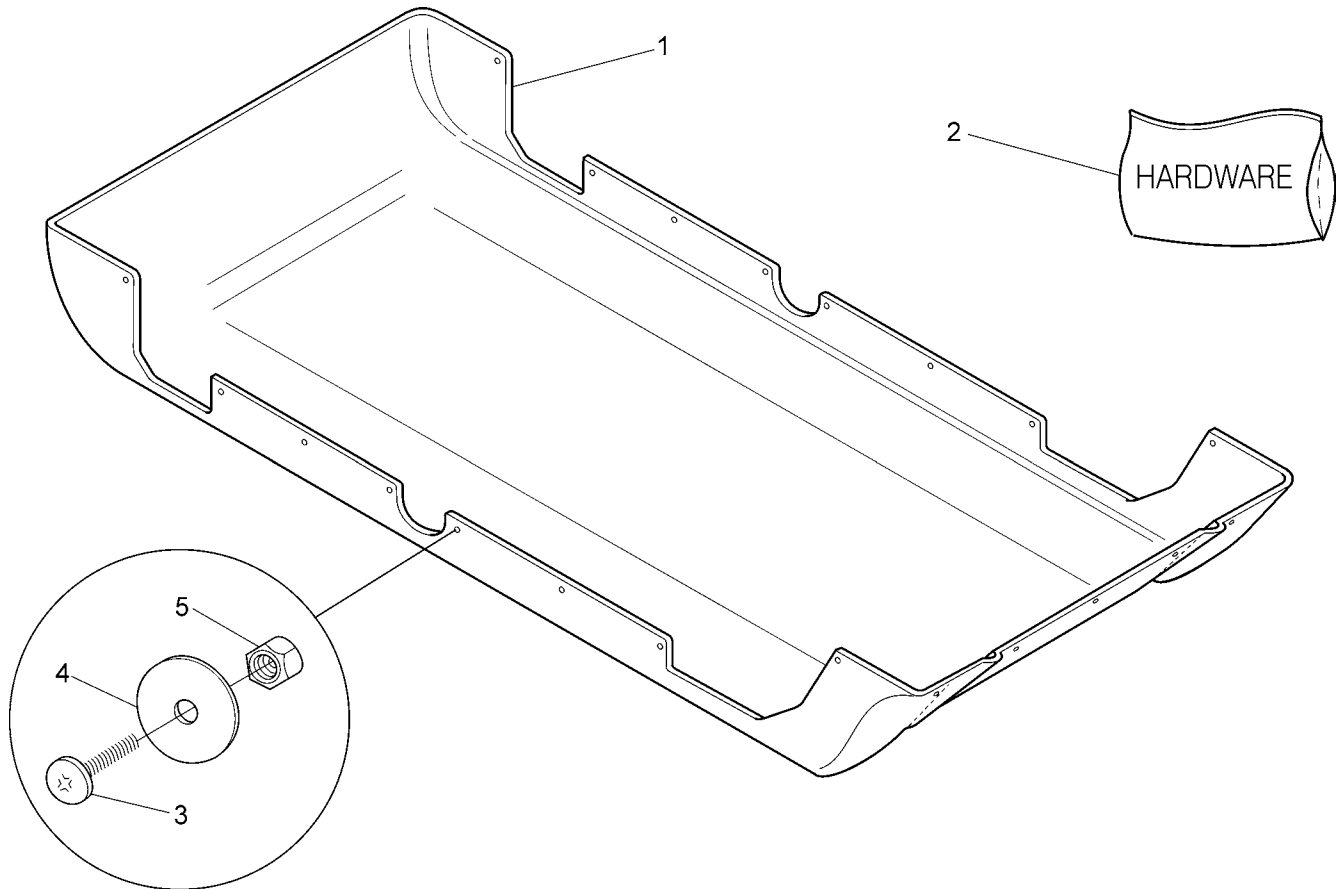
1 Piece 657-11 -Blade - Dimensional Weight: 63.5 lbs.; Dimensions: 81" x 20" x 6-1/2"; Actual Weight: 84 lbs.

1 Box, 1 Piece 657-10, 1 Piece 657-80
Dimensional Weight: 44 lbs.;
Dimensions: 31-1/2" x 28-1/2" x 8";
Actual Weight: 46 lbs.

1 Bundle, 3 Pieces 657-90 - Dimensional Weight: .5lbs.; Dimensions: 27" x 2-1/2" x 1/2";
Actual Weight: 31 lbs.



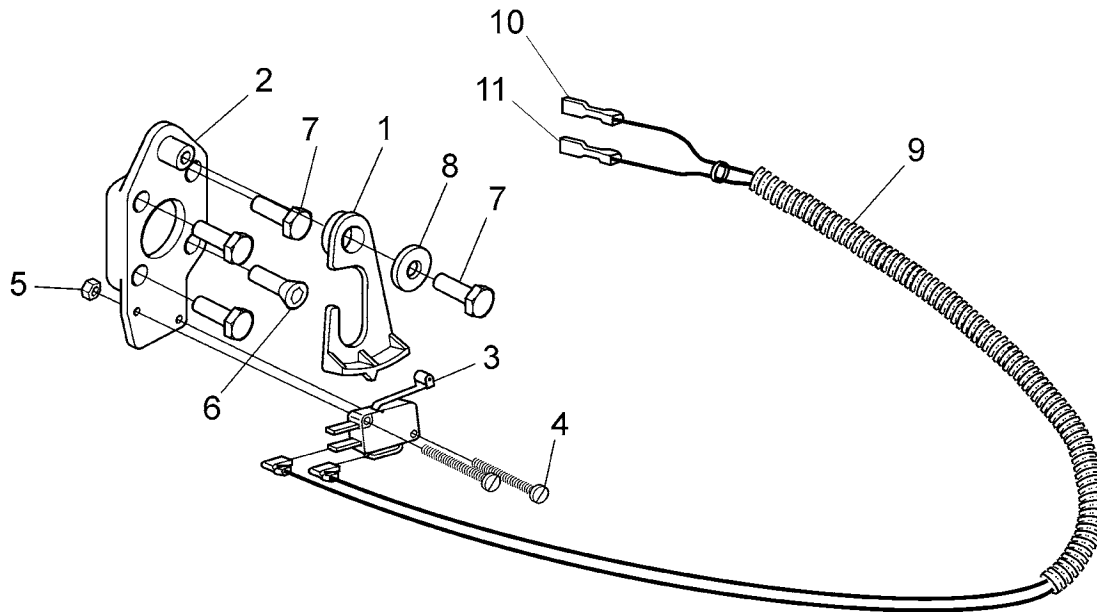
663-12 Skid Plate - Frontier



Ref.	Qty.	Part #	Description
1	1	663-12	Skid plate - 6x6 black
2	1	663-10HDW	Hardware kit comprised of:
3	32	103-63	Phillips Pan Hd. M.S. 1/4-20 x 1
4	50	108-01	Washer, fender 1/4 BS x 1.25 OD
5	32	117-27	Locknut, nylon 1/4-20



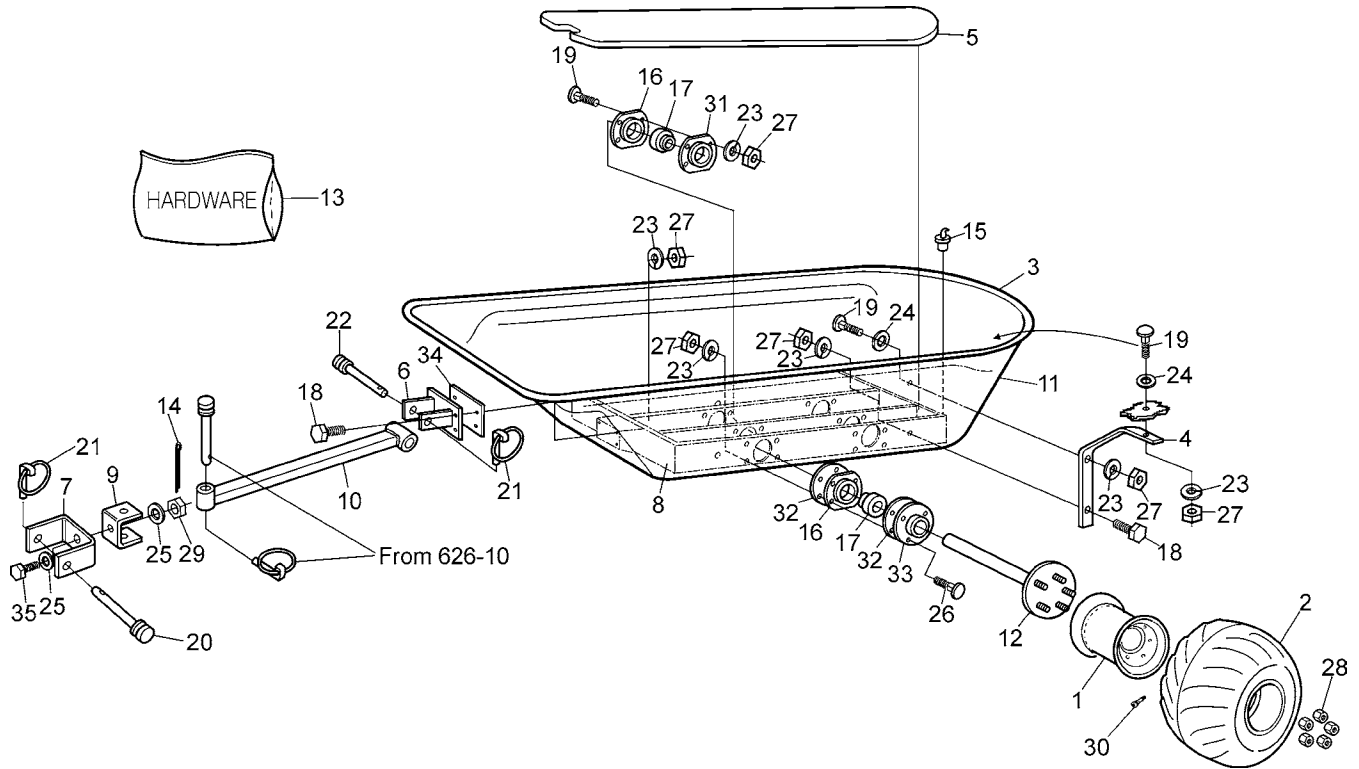
668-06 Neutral Start Assembly



Ref.	Qty.	Part #	Description
1	1	34-132	Follower, Neutral Start
2	1	34-131	Plate, Neutral Start Base
3	1	809-202	Switch, Limit - Two Pole
4	2	112-172	SHMS, #5-40x3/4, Zn
5	2	112-173	Locknut, #5-40, Zn
6	1	112-171	FHSC 1/4-20 x 3/4 Gr2 Zn
7	4	112-04	HHCS 1/4-20x3/4 Gr2 Zn
8	1	108-08	Washer .28x.62x.07 Zn
9	1	613-112	Wire Harness, Neutral Start
10	1	118-32	Terminal, 1/4" Male 22-18 Awg
11	1	118-64	Terminal, Female-1/4 22-18 Ins



695-75BL Trailer



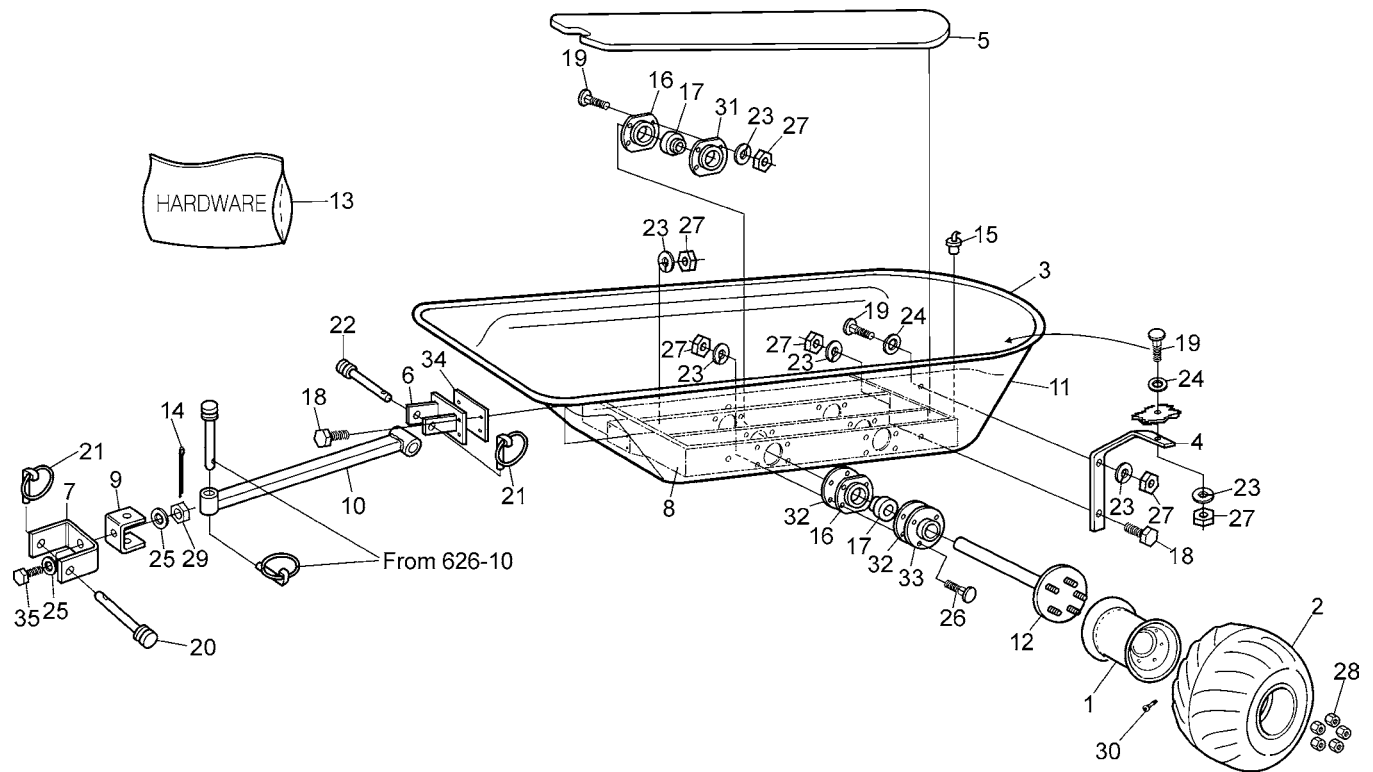
Ref.	Qty.	Part #	Description	Ref.	Qty.	Part #	Description
1	4	125-13C	Rim - Charcoal	26	16	112-39	C/Bolt 3/8-16 x 1.75 Gr5 Zn
2	4	126-96	Tire, Goodyear Runamuk 22x10-8	27	48	117-15	Nut, Fin Hex 3/8" -16 Zn
3	1	601-05	Rubber Bumper	28	20	117-35	Nut, Wheel 7/16 - 20 Zn
4	4	695-16	Body Support	29	1	117-37	Nut, Hex slotted 3/4-10 Zn
5	1	695-59	Floorboard, Trailer	30	4	125-26	Valve, Tire
6	1	695-63	Hitch ASM, Trailer	31	8	605-63	Flange, Bearing - 4 Hole
7	1	695-64	Bracket, Hitch	32	8	605-89	Gasket, Outer Bearing Flange
8	1	695-65	Frame ASM, Trailer	33	4	605-97	Flange ASM, Outer
9	1	695-71	Bracket, Tongue	34	1	616-20	Gasket, Rear Hitch
10	1	695-74	Tongue ASM	35	1	695-34	Bolt, Swivel
11	1	695-77BL	Body, Trailer Sub-Asm				
12	4	810-58	Axle Asm, Trailer				
13	1	695-75HDW	Hardware kit including:				
14	1	100-01	Pin, Cotter 1/8 x 1.50 Zn				
15	2	100-18	Plug, Drain 5/8" x 13/32"				
16	4	101-20	Flange, Greaseable - 4 Hole				
17	8	101-35	Bearing, Ball UC206A-20				
18	8	103-34	HHCS 3/8 - 16 x 1.25 Gr5 Zn				
19	24	103-88	C/Bolt 3/8-16 x 1.00 Gr5 Zn				
20	1	104-10	Pin, Toplink - 3/4 x 3.875				
21	2	104-11	Pin, Lynch - Ring				
22	1	104-13	Pin, Toplink - 3/4 x 2.75				
23	48	108-06	Lockwasher 3/8" Split Ring Zn				
24	8	108-35	Washer .53 x 1.06 x .09 Zn				
25	2	108-53	Washer .81 x 1.50 x .12 Zn				

Shipping Weight and Dimensions

1 Piece All Parts Combined
 Dimensional Weight: 816 lbs.;
 Dimensions: 93" x 56" x 26";
 Actual Weight: 287 lbs.



695-80BL Trailer



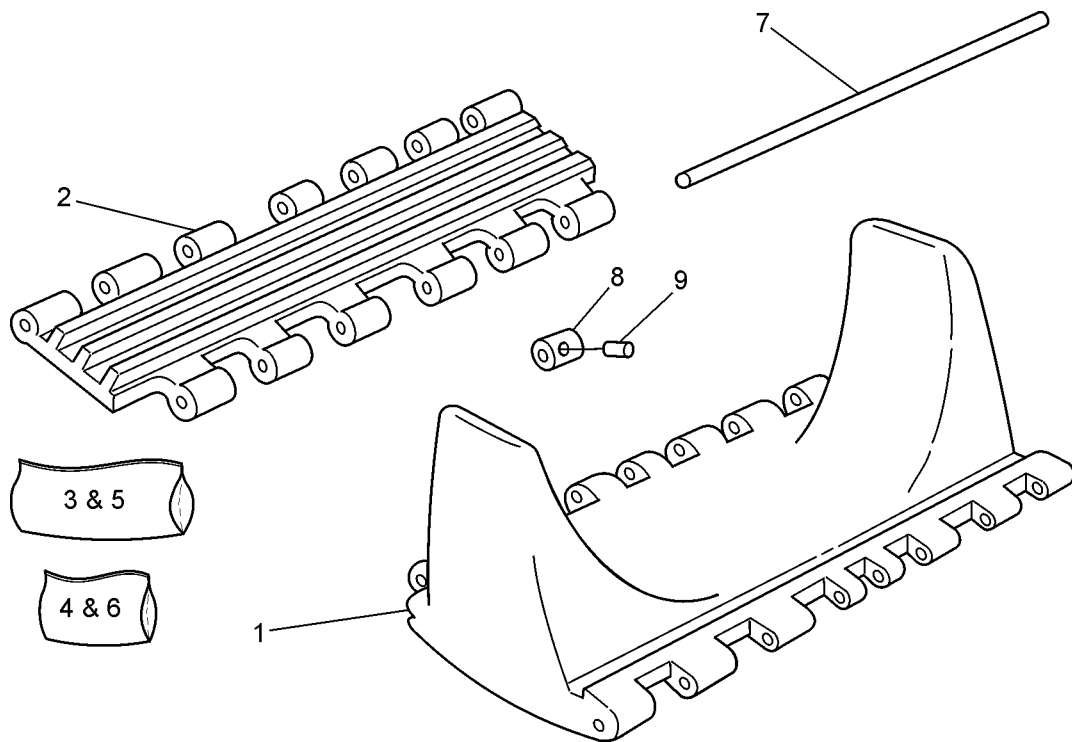
Ref.	Qty.	Part #	Description	Ref.	Qty.	Part #	Description
1	4	127-61C	Rim - Charcoal	27	48	117-15	Nut, Fin Hex 3/8" -16 Zn
2	4	127-100SA	Tire, Rawhide III 25x11.50-9	28	20	117-35	Nut, Wheel 7/16 - 20 Zn
3	1	601-05	Rubber Bumper	29	1	117-37	Nut, Hex slotted 3/4-10 Zn
4	4	695-16	Body Support	30	4	125-26	Valve, Tire
5	1	695-59	Floorboard, Trailer	31	8	605-63	Flange, Bearing - 4 Hole
6	1	695-63	Hitch ASM, Trailer	32	8	605-89	Gasket, Outer Bearing Flange
7	1	695-64	Bracket, Hitch	33	4	605-97	Flange ASM, Outer
8	1	695-65	Frame ASM, Trailer	34	1	616-20	Gasket, Rear Hitch
9	1	695-71	Bracket, Tongue	35	1	695-34	Bolt, Swivel
10	1	695-74	Tongue ASM				
11	1	695-77BL	Body, Trailer Sub-Asm				
12	4	810-58	Axle Asm, Trailer				
13	1	695-75HDW	Hardware Kit including:				
14	1	100-01	Pin, Cotter 1/8 x 1.50 Zn				
15	2	100-18	Plug, Drain 5/8" x 13/32"				
16	4	101-20	Flange, Greaseable - 4 Hole				
17	8	101-35	Bearing, Ball UC206A-20				
18	8	103-34	HHCS 3/8 - 16 x 1.25 Gr5 Zn				
19	24	103-88	C/Bolt 3/8-16 x 1.00 Gr5 Zn				
20	1	104-10	Pin, Toplink - 3/4 x 3.875				
21	2	104-11	Pin, Lynch - Ring				
22	1	104-13	Pin, Toplink - 3/4 x 2.75				
23	48	108-06	Lockwasher 3/8" Split Ring Zn				
24	8	108-35	Washer .53 x 1.06 x .09 Zn				
25	2	108-53	Washer .81 x 1.50 x .12 Zn				
26	16	112-39	C/Bolt 3/8-16 x 1.75 Gr5 Zn				

Shipping Weight and Dimensions

1 Piece All Parts Combined
 Dimensional Weight: 816 lbs.;
 Dimensions: 93" x 56" x 26";
 Actual Weight: 350 lbs.



815-42K Standard Tracks



Ref.	Qty.	Part #	Description
1	72	615-42	Track Segment - Standard
2	2	615-21	Half Segment
3	1	615-02-8	Track Pin Set (82 pcs.) - 8x8
4	1	615-12-8	Bushing Set (82 pcs.) - 8x8 c/w Set Screws (80 pcs.)

Extra parts included:

615-02 pins (5), 615-12 lock bushing (6) and 112-68 SHSS 1/4"-20 x 1/4" (7) for future replacement.

Shipping Weight and Dimensions

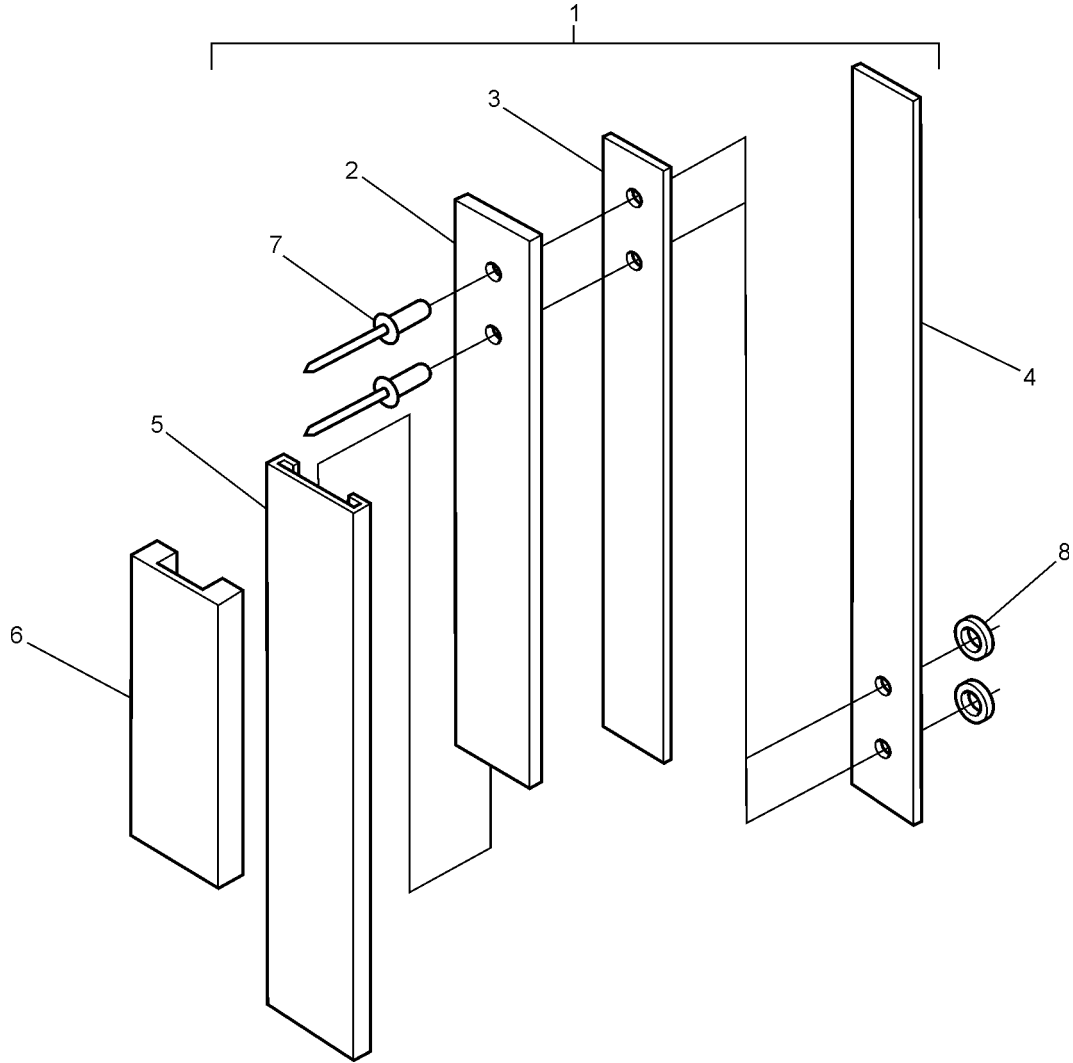
815-42K

6 Boxes - 615-42 Track - Dimensional Weight: 38 lbs. each; Dimensions: 22" x 20" x 14" each;
Actual Weight: 26 lbs. each

1 Box (10 pcs. 615-02-8, 1 pc. 615-12-8, 2 pcs. 615-21) - Dimensional Weight: 2 lbs.;
Dimensions: 15" x 5" x 4"; Actual Weight: 17 lbs.



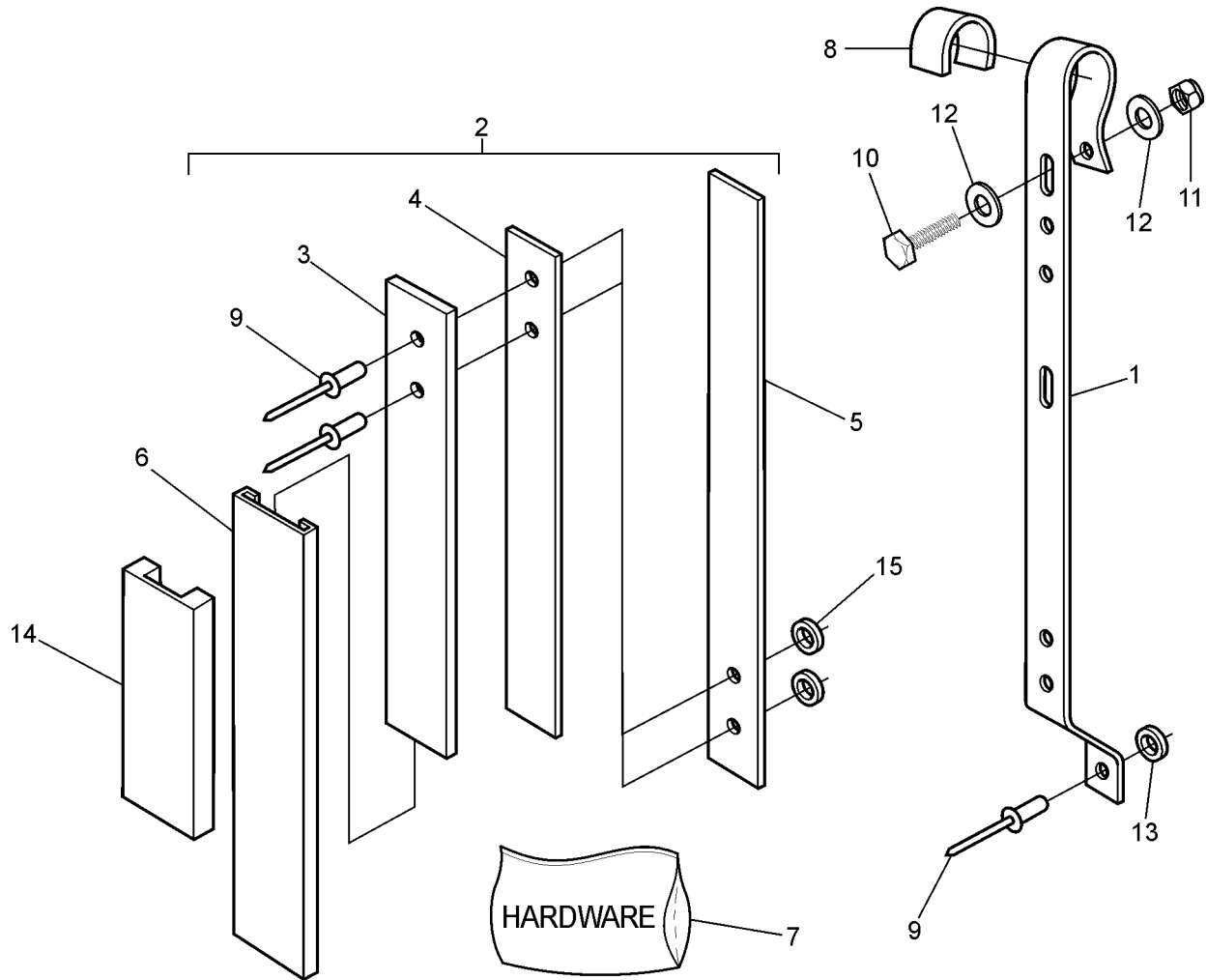
821-25 Utility Bracket



Ref.	Qty.	Part #	Description
1	2	821-26	Utility Bracket Asy; each comprised of:
2	1		Flatbar, Aluminum
3	1		Velcro hook, adhesive backed
4	1		Strap, Velcro - eye
5	1		Cover, rubber
6	1	821-27	Barrel Holder
7	4	120-09	Rivet, 3/16 x 1.0 Black
8	4	108-69	Washer, Nylon .413 x .83 x .098"



821-35 Utility Rack



Ref.	Qty.	Part #	Description
1	2	821-36	Bracket, Mounting
2	4	821-26	Utility Bracket Asy; each comprised of:
3	1		Flatbar, Aluminum
4	1		Velcro Hook, adhesive backed
5	1		Strap, Velcro - eye
6	1		Cover, rubber
7	1	821-30HDW	Hardware Kit includes the following:
8	1	127-123	Rubber, Strip 1/4" x 1" x 6.5"
9	10	120-09	Rivet, 3/16 x 1.0 Black
10	2	103-08	HHCS 1/4-20 x 1.0 Zn
11	2	117-27	Locknut, Nylon 1/4-20 Zn
12	4	108-08	Washer, .28 x .62 x .04 Zn
13	2	120-04	Washer, .19 x .50 x .08 Zn 16
14	2	821-27	Barrel Holder
15	8	108-69	Washer, Nylon .413 x .83 x .098"



821-40 Storage Cover (Not for Highway Use)



Ref.	Qty.	Part #	Description
1	1	821-40	Storage Cover

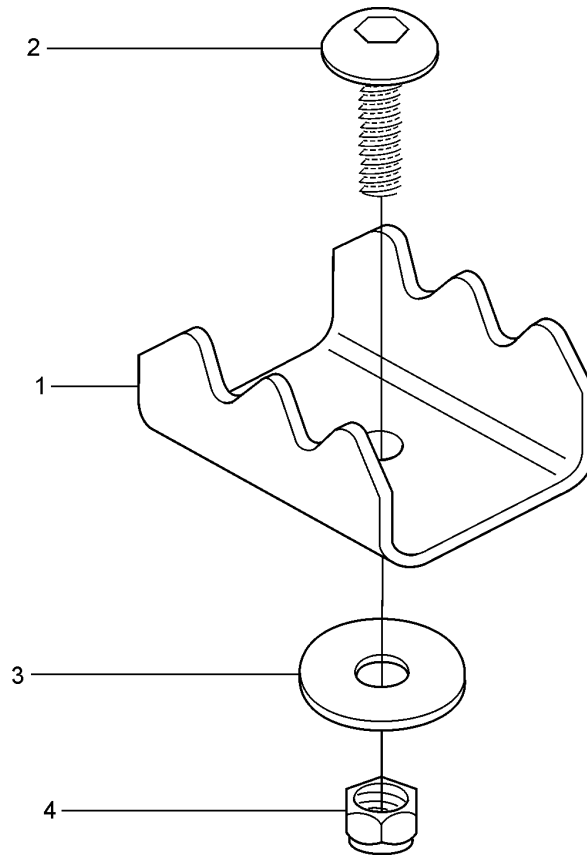
Shipping Weight and Dimensions

1 Piece - Dimensional Weight: 14 lbs.; Dimensions: 16" x 16" x 9"; Actual Weight: 5 lbs.



825-20 Ice Cleats (6x6 & 8x8)

Fits 8x8 Super Tracks & Frontier Rubber Track Kit



Ref.	Qty.	Part #	Description
1	36	625-21	Ice Cleat
2	36	112-33	BHCS 3/8-16 x .875 Gr8
3	36	108-26	Washer .43 x 1.02 x .09 Zn
4	36	117-14	Locknut, Centre 3/8-16

Shipping Weight and Dimensions

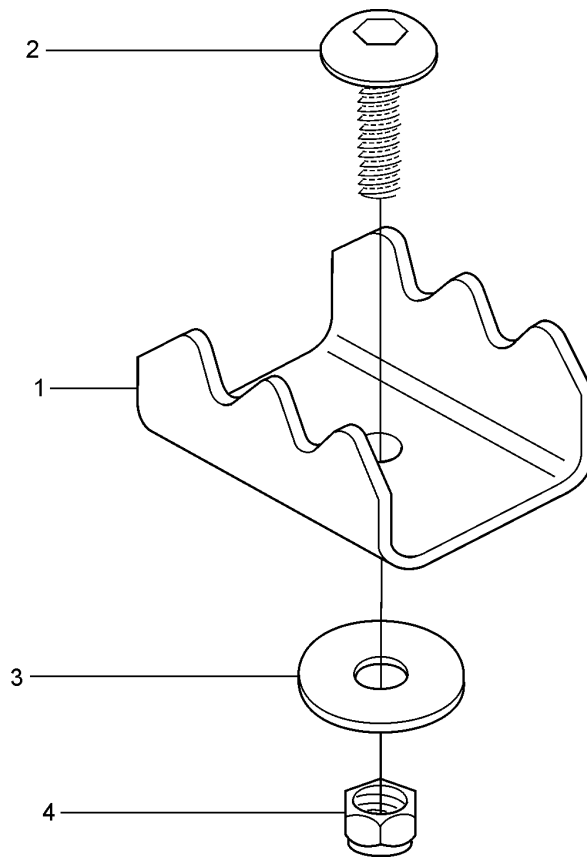
825-20

1 Box - Dimensional Weight: 3 lbs.; Dimensions: 8" x 6" x 8"; Actual Weight: 9 lbs.



825-21 Ice Cleats (8x8)

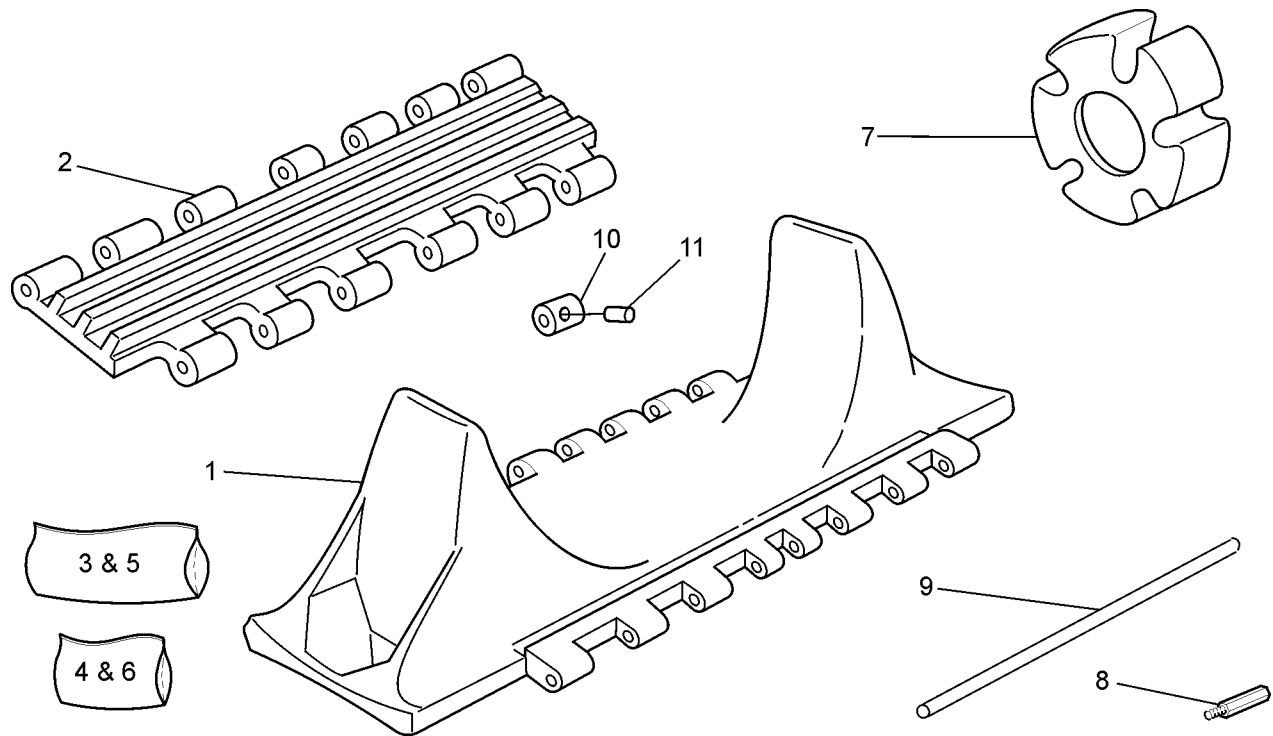
Fits Part 825-50-1 Rubber Track Kit



Ref.	Qty.	Part #	Description
1	44	625-21	Ice Cleat
2	44	112-33	BHCS 3/8-16 x .875 Gr8
3	44	108-26	Washer .43 x 1.02 x .09 Zn
4	44	117-14	Locknut, Centre 3/8-16



825-42K Super Tracks



Ref.	Qty.	Part #	Description
1	72	625-42	Super Track Segment
2	2	615-21	Half Segment - Track - Plastic
3	1	615-02-8	Track Pin Set (82 pcs.) - 8x8
4	1	615-12-8	Bushing Set (82 pcs.) - 8x8 c/w Set Screws (80 pcs.)
5	8	605-77	Axle Extension
6	42	126-08	Extension Stud

Extra parts included: 615-02 pins (7), 615-12 lock bushing (8), 112-68 SHSS 1/4" - 20 x 1/4" (9) and 2 of 126-08 Extension Stud (6), for future replacement.

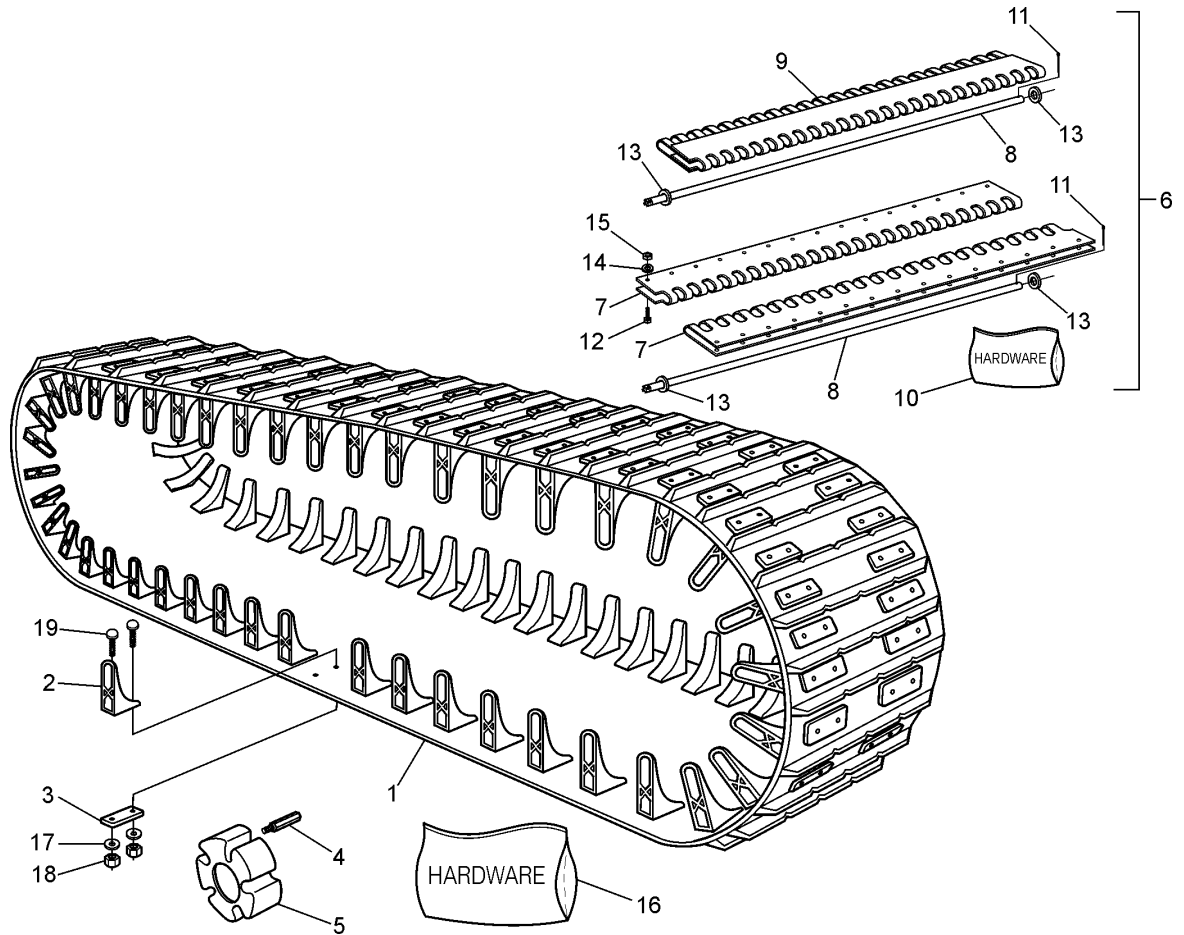
Shipping Weight and Dimensions

6 Boxes 625-42 Super Track - Dimensional Weight: 38 lbs. each; Dimensions: 22" x 20" x 14" each;
Actual Weight: 29 lbs. each

1 Box (8 pcs. 605-77, 40 pcs. 126-08, 1 pc. 615-02-8, 1 pcs. 615-12-8, 2 pcs. 615-21)
Dimensional Weight: 8 lbs.; Dimensions: 11" x 15" x 8"; Actual Weight: 38 lbs.



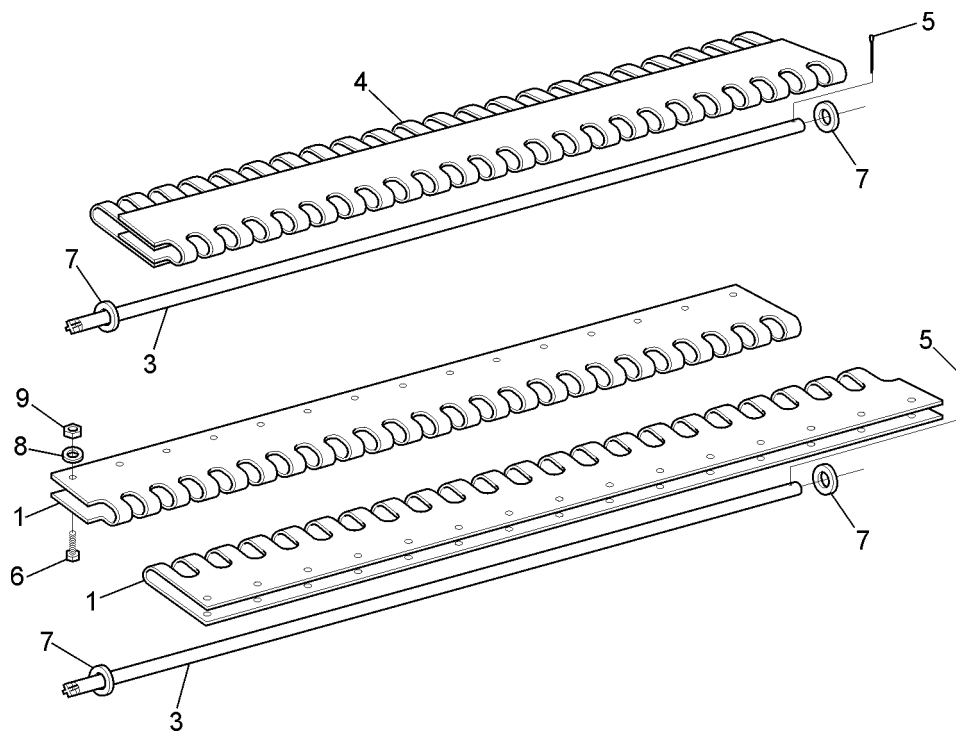
825-50-1 Rubber Tracks - Avenger



Ref.	Qty.	Part #	Description
1	2	825-51	Track, Rubber - Argo
2	180	825-52-1	Guide, Track - Argo - Nylon
3	180	825-53	Plate, Track Backing - Argo
4	42	126-08	Extension Stud, Plated
5	8	605-77	Extension Axle
6	1	825-55	Hinge Set & Extensions - 18" Rubber Tracks- includes the following:
7	4	825-54	Hinge, Track Lacing - 18"
8	4	825-56	Pin, Track - 18"
9	2	825-57	Track Extension - 2" x 18"
10	1	825-55HDW	Hardware Kit includes the following:
11	8	100-100	Pin, Cotter 1/8 x 3/4 Zn
12	60	103-08	HHCS 1/4-20 x 1.0 Zn
13	8	108-23	Washer .42 x .81 x .06 Gr8 Zn DI-C
14	60	108-08	Washer .28 x .62 x .07 Zn
15	60	117-27	Locknut, Nylon 1/4-20 Zn
16	1	825-50HDW	Hardware Kit includes the following:
17	360	108-24	Washer, .34 x .70 x .06 Zn
18	360	117-21	Locknut, Nylon 5/16-18"
19	360	112-155	Bolt, Carriage



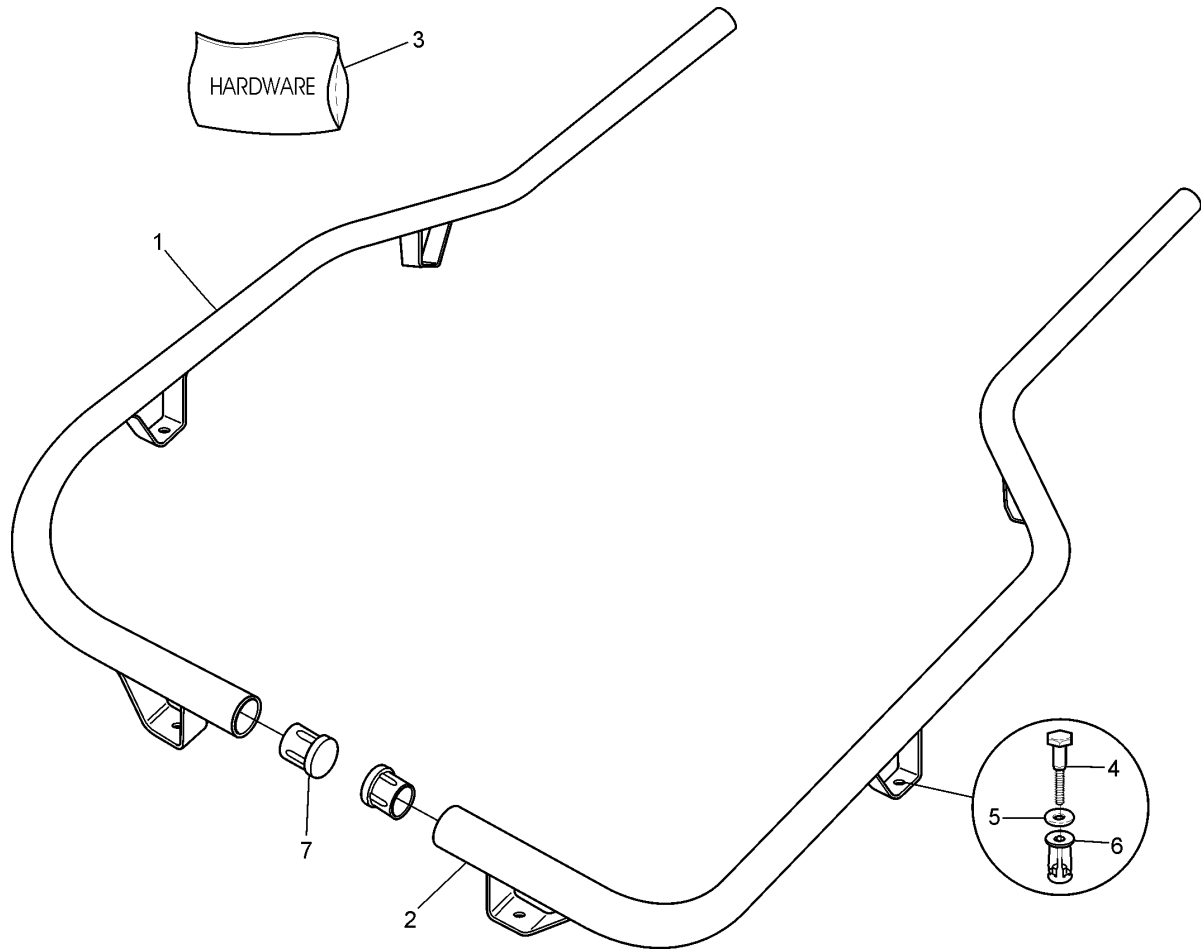
825-55-1 Rubber Track Hinge - Avenger



Ref.	Qty.	Part #	Description
1	4	825-54	Hinge, Track Lacing-18"
2	1	825-58	Track Extension Kit - 2" x 18"
3	2	825-56	Pin, Track-18"
4	2	825-57	Track Extension-2" x 18"
5	4	100-100	Pin, Cotter 1/8 x 3/4 Zn
6	60	103-08	HHCS 1/4-20 x 1.0 Zn
7	4	108-23	Washer .42 x .81 x .06 Gr8 Zn DI-C
8	120	108-08	Washer .28 x .62 x .07 Zn
9	60	117-27	Locknut, Nylon 1/4-20 Zn



839-30 Handrails - Avenger



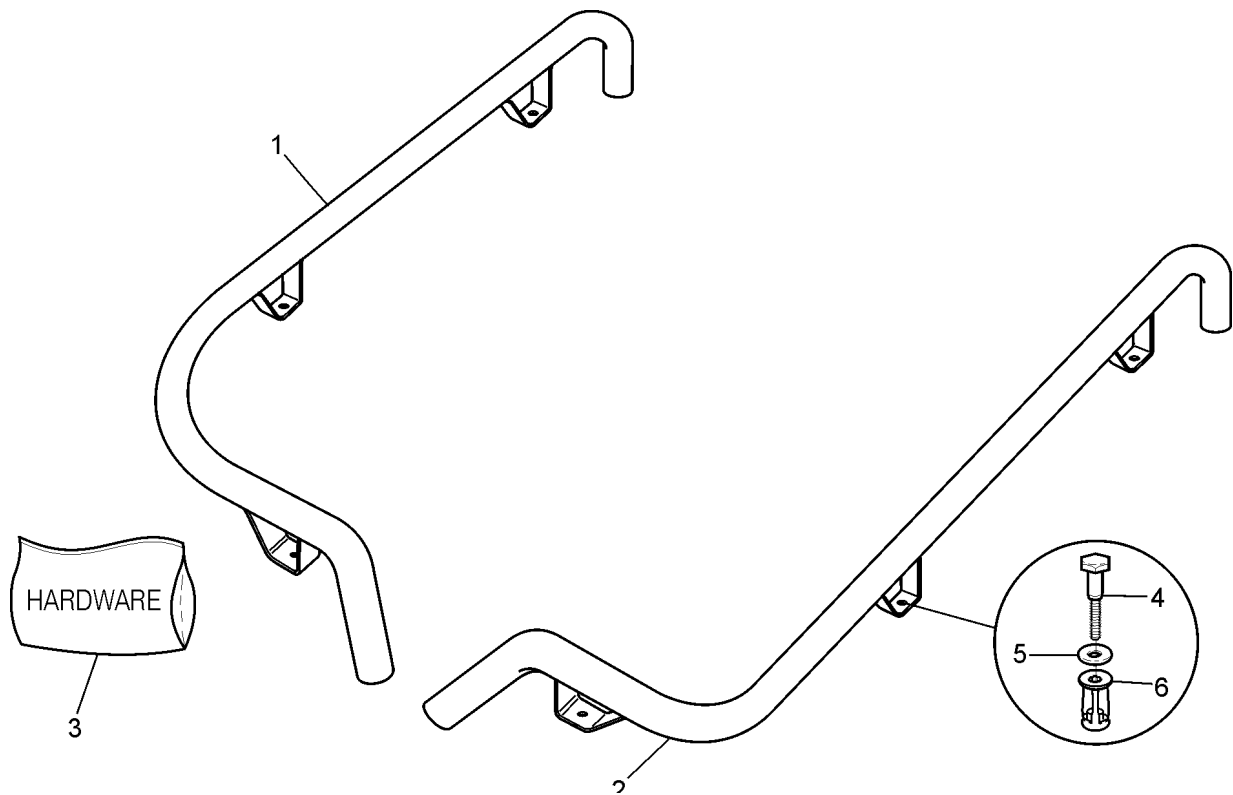
Ref.	Qty.	Part #	Description
1	1	839-31	Handrail, LH
2	1	839-32	Handrail, RH
3	1	839-30HDW	Hardware Kit includes:
4	6	103-97	HHCS 1/4-20x1.25 GR5 Zn
5	6	108-08	Washer .28x.62x.07 Zn
6	6	117-53	Nut, Jack 1/4-20 8L-JNS Zn
7	2	639-25	End Plug-Black

Shipping Weight and Dimensions

1 Piece 839-30 Handrail Kit - Dimensional Weight: 10 lbs.; Dimensions: 43" x 11" x 3.5"; Actual Weight: 5 lbs.



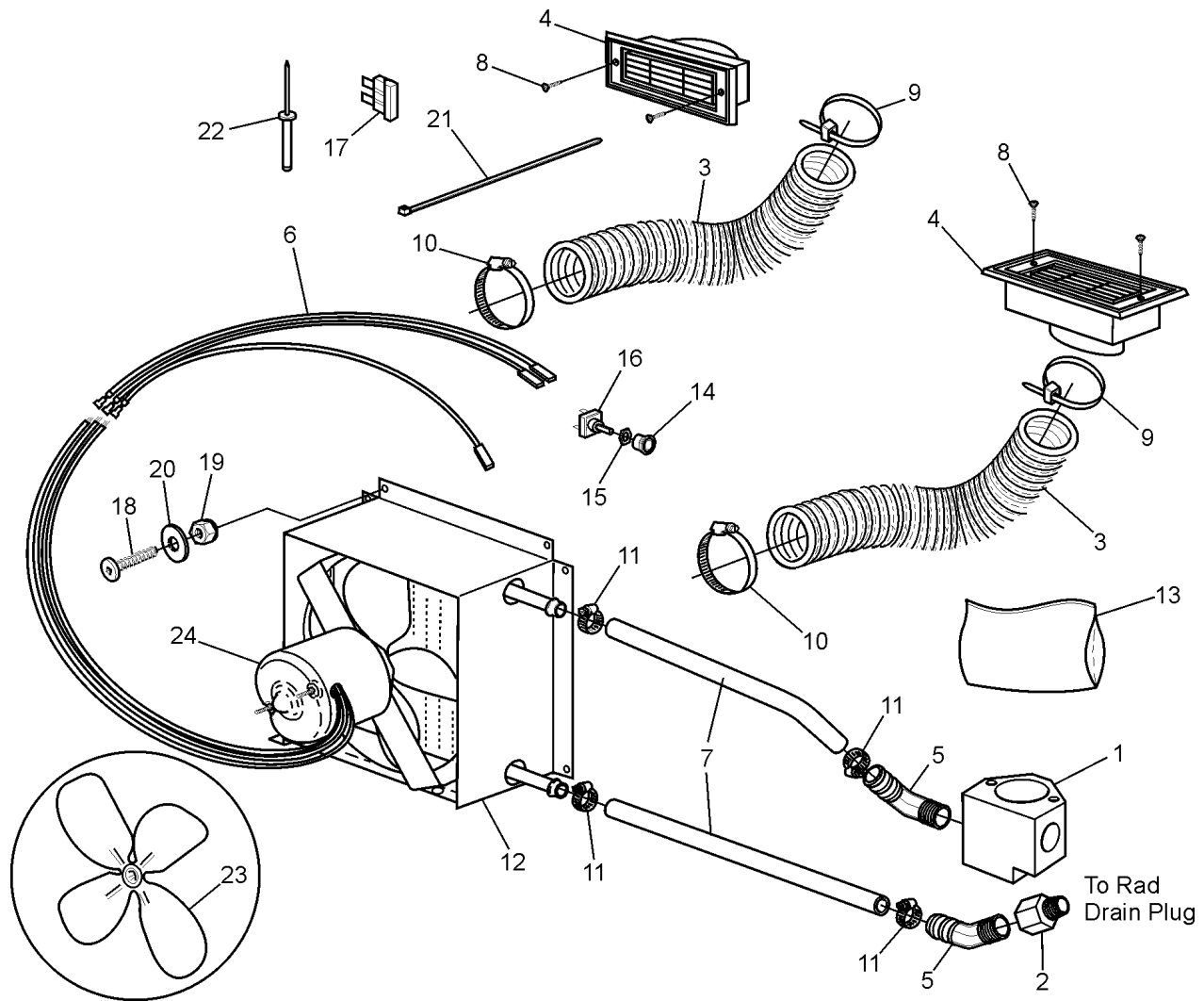
839-35 Handrails - Frontier



Ref.	Qty.	Part #	Description
1	1	839-37	Handrail Assembly - Frontier 8x8 - Left
2	1	839-39	Handrail Assembly - Frontier 8x8 - Right
3	1	639-20HDW	Hardware Kit includes:
4	6	108-08	Washer, 1/4"
5	6	117-53	Nut, Jack 1/4-20 8L-JNS Zn
6	6	103-97	HHCS 1/4-20 x 1-1/4"



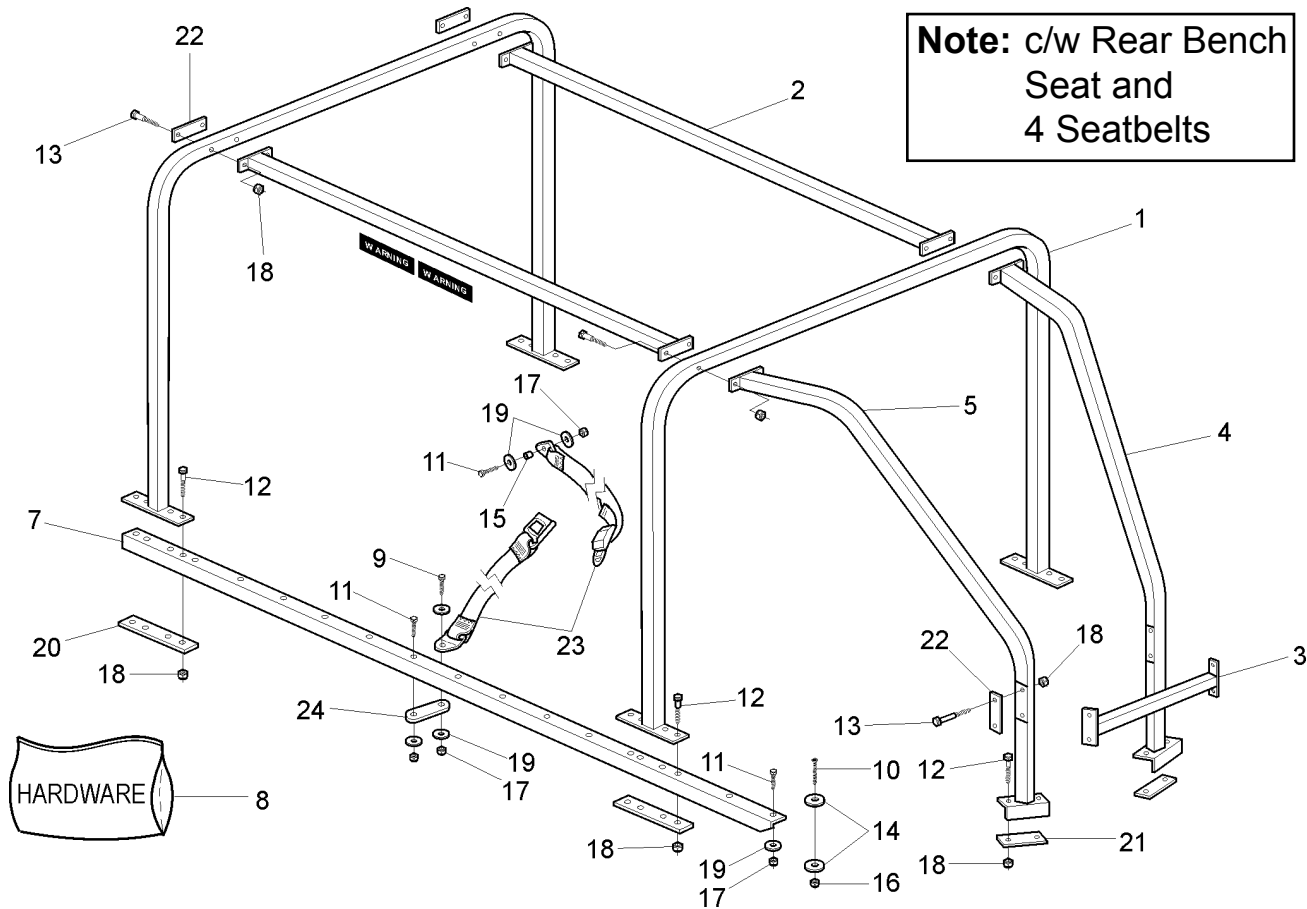
848-32 Heater - Avenger



Ref.	Qty.	Part #	Description	Ref.	Qty.	Part #	Description
1	1	848-106	Housing, Heater Kit Thermostat	13	1	848-107	Kit, Thermostat
2	1	848-99	Fitting, Reducer, 3/8-1/4 NPT	14	1	U52-FC	Knob-Soft, Heater Switch
3	2	848-33	Hose, Air 2.5" x 22"	15	1	H82032	Nut, 7/16-28 UNEF, Panel
4	2	848-34	Louver, 2.5" Oval Inlet	16	1	848-21	Switch, 2 speed
5	2	848-64	Barb, Hose 45 Elbow	17	1	118-52	Fuse, 10A 2 Prong (A010)
6	1	848-37	Wire Harness-Avg. Heater	18	4	103-25	PHMS 10-24x3/4 Zn
7	1	848-38	Hose, Antifreeze - 5/8"x 40.5"	19	4	117-10	Locknut, 10-24 N/I Zn
8	4	112-139	OHPS T/S #4 x 5/8 Black Zn	20	4	120-04	Washer .19x.50x.08 Zn
9	4	100-102	Tie Wrap - 14"-White- 50 lbs.	21	4	100-64	Tie Wrap-5.5"- Black
10	2	100-12	Clamp, Gear - 2.25" HF-36	22	14	120-11	Rivet-5/32x9/16 Black
11	4	638-16	Clamp, Gear - 5/8"	23	1	540114	Fan - Blade c/w Set Screw
12	1	848-15	Core, Fan & Motor ASM - Heater	24	1	540111	Motor - Fan



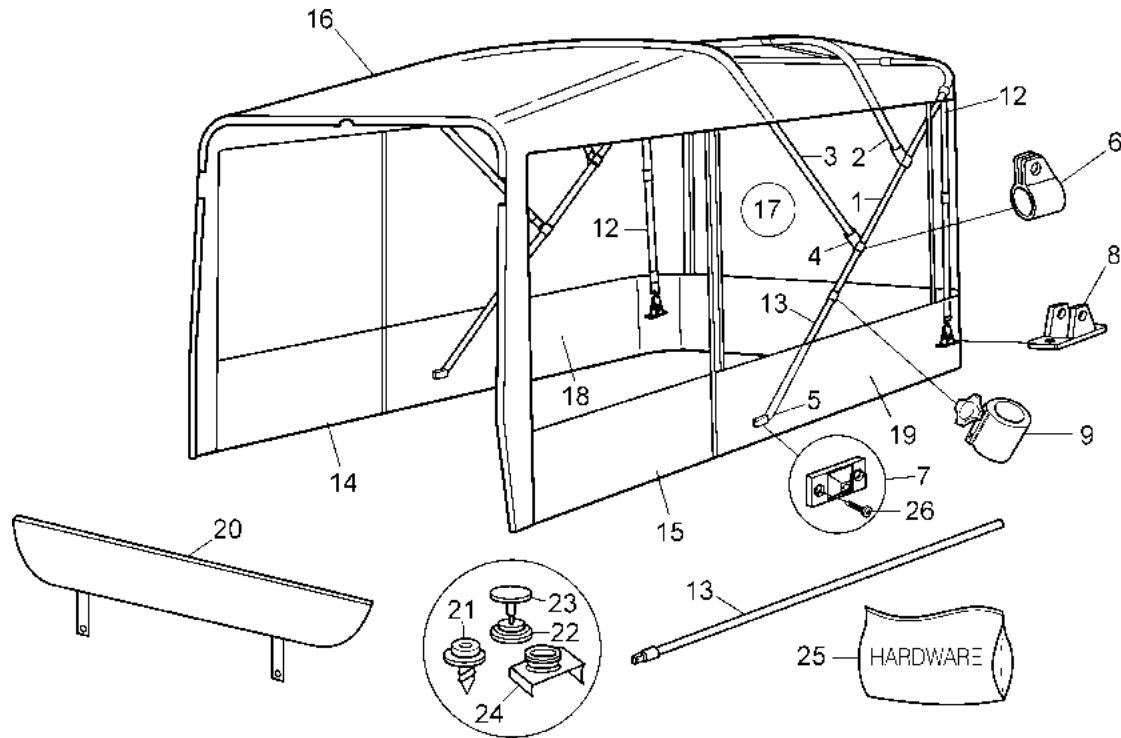
848-40-4 Roll Over Protective Structure (ROPS)



Ref.	Qty.	Part #	Description	Shipping Weight and Dimensions
1	2	848-41	Hoop assembly	1 Box 848-40-2 Kit - Dimensional
2	2	848-43	Tube assembly - top	Weight: 174 lbs.; Dimensions:
3	1	848-45	Tube assembly - front	60" x 48" x 10";
4	1	848-47	Brace assembly - front left	Actual Weight: 125 lbs.
5	1	848-49	Brace assembly - front right	
6	1	848-58	Angle iron - left - not shown	1 Piece 848-58, 848-59, 849-60
7	1	848-59	Angle iron - right	(See 849-60 for details)
8	1	848-40HDW	Hardware kit includes the following:	Dimensional Weight: 3 lbs.;
9	6	103-34	HHCS, 3/8 - 16 x 1.25 GR 5 Zn	Dimensions: 84" x 2" x 2-1/2";
10	4	103-03	PHMS, 1/4 - 20 x 1.50 Zn	Actual Weight: 17 lbs.
11	24	103-76	HHCS, 3/8 - 16 x 1.75 GR 5 Zn	
12	20	112-66	HHCS, 1/2 - 13 x 2.0 GR 5 Zn	
13	12	112-67	HHCS, 1/2 - 13 x 3.0 GR 5 Zn	
14	8	108-01	Washer, Fender 1/4" BS x 1.25OD	
15	4	108-64	Spacer, 3/8 x 1/2 x 3/8"	
16	4	117-27	Locknut, Nylon 1/4"- 20 Zn	
17	30	117-29	Locknut, Nylon 3/8 - 16 Zn	
18	32	117-66	Locknut, Nylon 1/2 - 13 Zn	
19	38	108-26	Washer .43 x 1.02 x .09 Zn	
20	4	848-53	Flange, Bumper - side	
21	2	848-54	Flange, Bumper - front	
22	4	848-55P	Flange, Tube	
23	4	848-56	Seatbelt assemblies	
24	4	848-57	Strap, Belt anchor	
25	1	849-60	Rear Bench Seat Kit (See 849-60 for details)	



849-40 (Black) Convertible Top



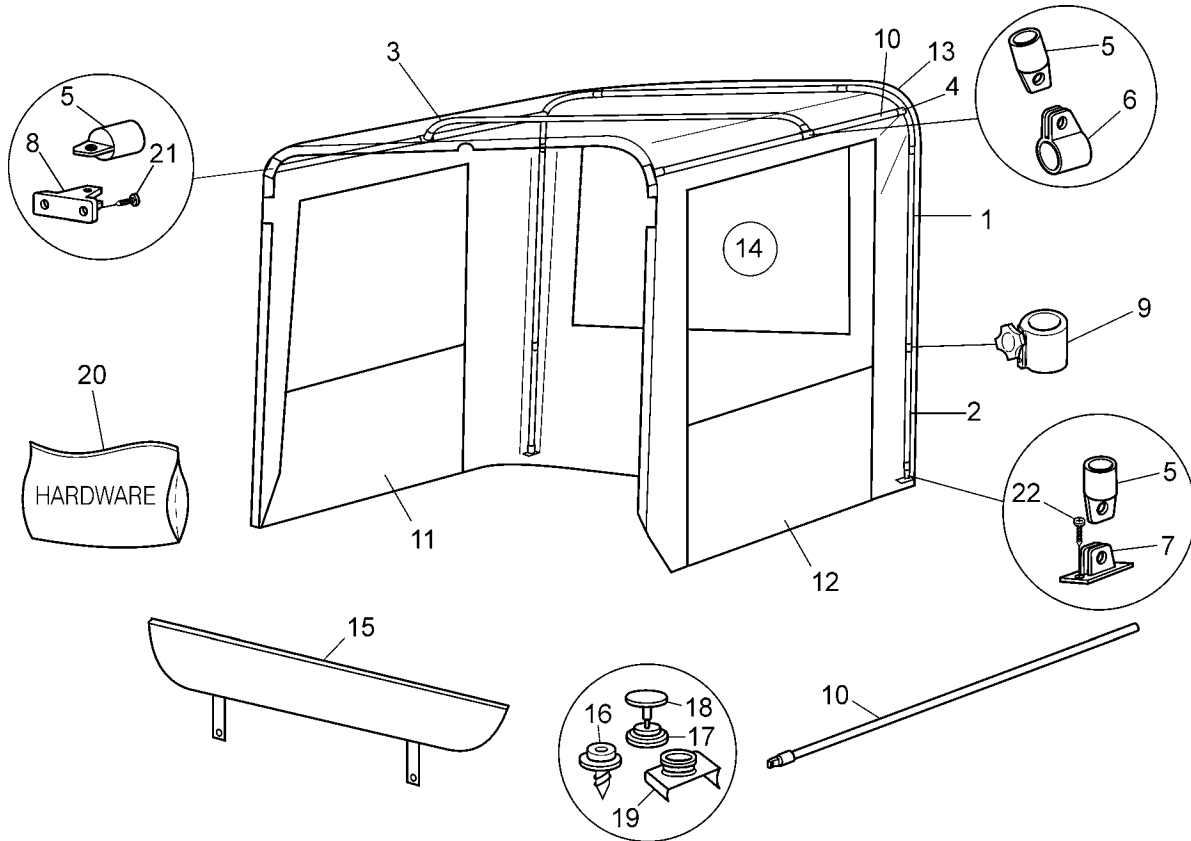
Ref.	Qty.	Part #	Description	Ref.	Qty.	Part #	Description
1	1	AV8F1	Main Frame	19	1	849-40 SLB	1/4 panel complete left side - Black
2	1	AV8F2	Mid Frame	20	1	BOOTAVB	Boot - Black (this boot is specific fit for bow in frames)
3	1	AV8F3	Front Frame	21*	31	627-10	Dura Screw Stud 3/8"
4	4	849-33	Eye End 7/8"	22	59	4003E	Socket nickel plated brass (snap fastener)
5*	2	849-11	Eye End 3/4	23	59	4002E	Finish Cap Black finish brass (snap fastener)
6	6	849-32	Jaw Slide 7/8"	24*	16	627-02	Windshield Clip Stud
7*	2	649-32	Side Mount	25	1	AV8F4	Hardware Package
8*	2	627-07	Deck Mount				
9*	2	649-34	Adjusting Collar	26*	8	2327	Stainless Steel Screw #8 x 1" Phillips head
12	2	ARF5	Tension Strap with hooks				
13	2	ARF4	Adjusting Pole 30"x3/4 c/w eye end 3/4				
14	1	849-40 DRB	Door Panel, right side - Black				
15	1	849-40 DLB	Door Panel, left side - Black				
16	1	849-40 RB	Roof Only, Black				
17	1	849-40 RDB	Rear Door, Black (Tail Gate)				
18	1	849-40 SRB	1/4 panel complete right side - Black				

Shipping Weight and Dimensions

1 piece - Dimensions: 52" x 4" x 43"; Actual Weight: 30 lbs.



849-45 (Black) Convertible Half Top



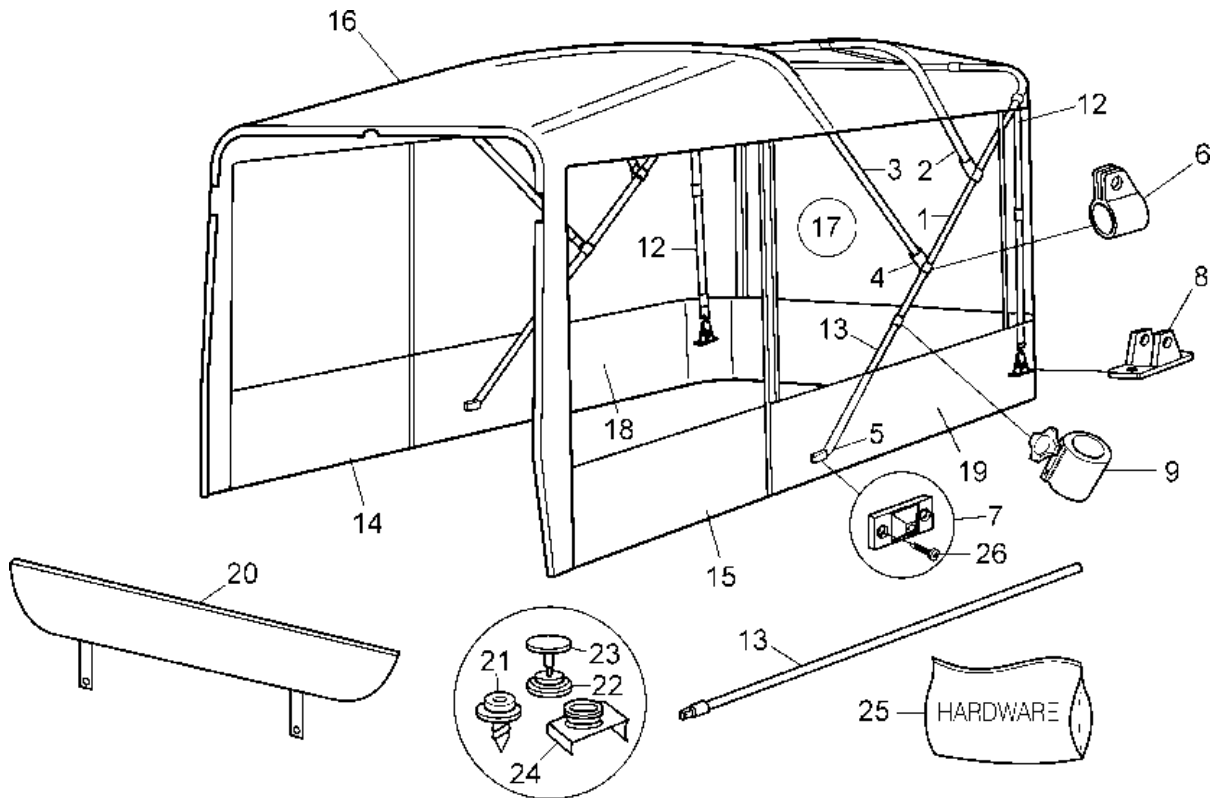
Ref.	Qty.	Part #	Description	Ref.	Qty.	Part #	Description
1	1	AVHF1	Main Frame	15	1	BOOTAVB	Boot - Black
2	2	AVHF2	Stand off Requires adjusting pole & adjusting collar	16*	19	627-10	Dura Screw Stud 3/8" Stainless - 11022T
3	1	AVHF3	Mid Frame	17	43	4003E	Socket, Nickel Plated Brass
4	4	849-33	Eye End 7/8" - 2547E	18	43	4002E	Finish Cap Black painted brass
5	4	849-11	Eye End 3/4" - 2546E	19*	16	627-02	Windshield Clip Stud - 11031T
6	4	849-32	Jaw Slide 7/8" - 2605E	20*	1	AVHF4	Hardware Package
7*	2	649-32	Side Mount - 2659E	21*	4	2325	Stainless Steel Screw 1/2" x #8 Phillips
8*	2	627-07	Deck Mount - 2715E	22*	4	2327	Stainless Steel Screw 1" x #8 Phillips
9	4	649-34	Adjusting Collar - 2785E				
10	4	ARF4	Adjusting Pole C/W 3/4" eye end 30" x 3/4"				
11	1	849-45DRB	Door Panel Right Side - Black				
12	1	849-45DLB	Door Panel Left Side - Black				
13	1	849-45RB	Roof Only - Black				
14	1	849-45RDB	Rear Door Only - Black (Tail Gate)				

Shipping Weight and Dimensions

1 piece - Dimensions: 52" x 4" x 43"; Actual Weight: 30 lbs.



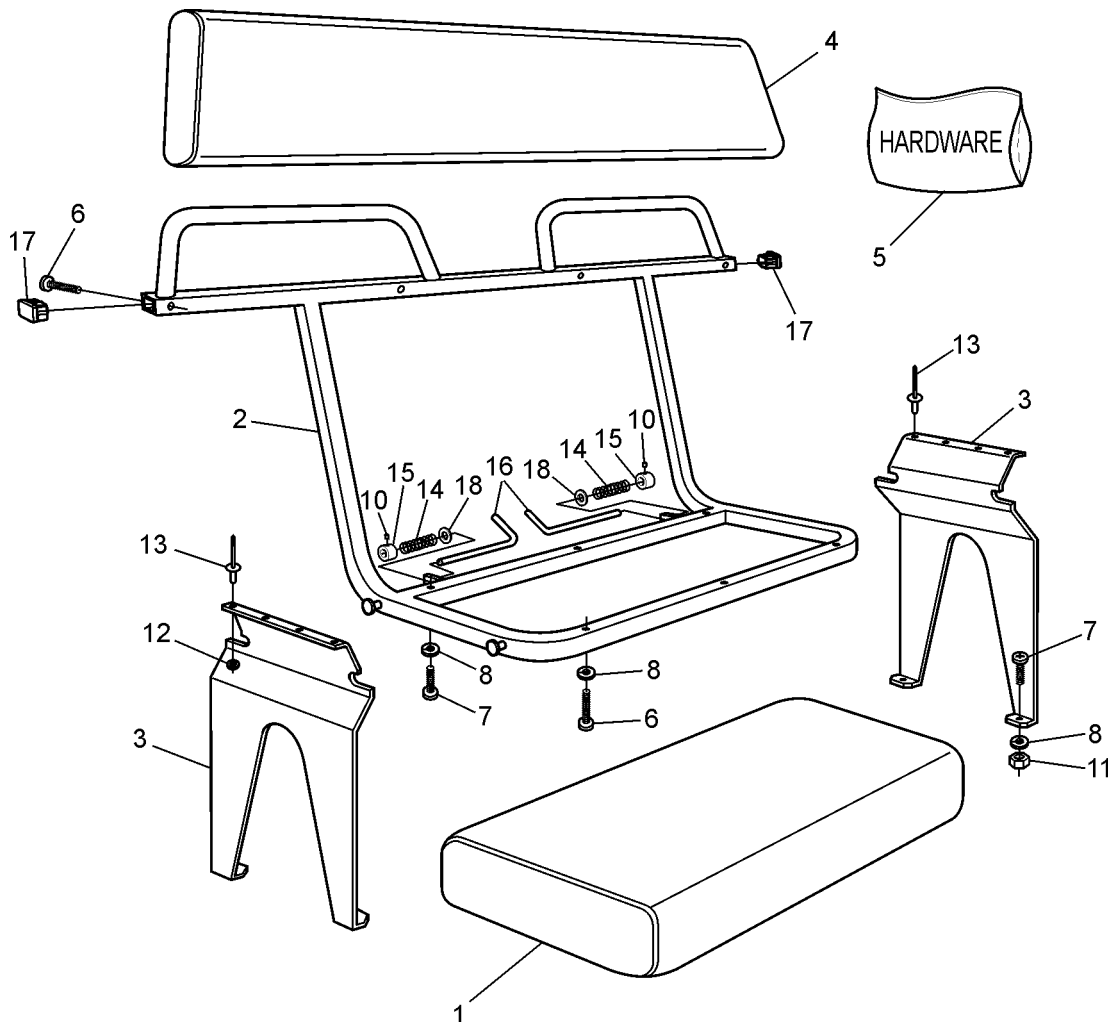
849-51 8x8 Convertible Top (Frontier 650)



Ref.	Qty.	Part #	Description	Ref.	Qty.	Part #	Description
1	1	AV8F1	Main Frame (bowed @ top)	20	1	BOOTAVB	Boot Black (this boot is specific fit for bow in frames)
2	1	AV8F2	Mid Frame "				
3	1	AV8F3	Front Frame "				
4	4	849-33	Eye End 7/8"	21*	35	627-10	Dura Screw Stud 3/8"
5*	2	849-11	Eye End 3/4				Stainless Steel Screw
6	6	849-32	Jaw slide 7/8"	22	63	4003E	Socket nickel plated brass (snap fastener)
7*	2	649-32	Side Mount	23	63	4002E	Finish Cap Black finish brass (snap fastener)
8*	2	627-07	Deck Mount	24*	16	627-02	Windshield Clip Stud
9*	2	649-34	Adjusting Collar	25	1	AV8F4	Hardware Package
12	2	ARF5	Tension Strap with hooks				*Indicates which parts are part of the hardware package
13	2	ARF4	Adjusting Pole 30"x3/4 c/w eye end 3/4	26*	8	2327	Stainless Steel Screw #8 x 1" Phillips head
14	1	849-51 DRB	Door Panel, right side - Black				
15	1	849-51 DLB	Door Panel, left side - Black				
16	1	849-51 RB	Roof Only - Black				
17	1	849-51 RDB	Rear Door, Black (Tail Gate)				
18	1	849-51 SRB	1/4 panel complete right side - black				
19	1	849-51 SLB	1/4 panel complete left side - black				



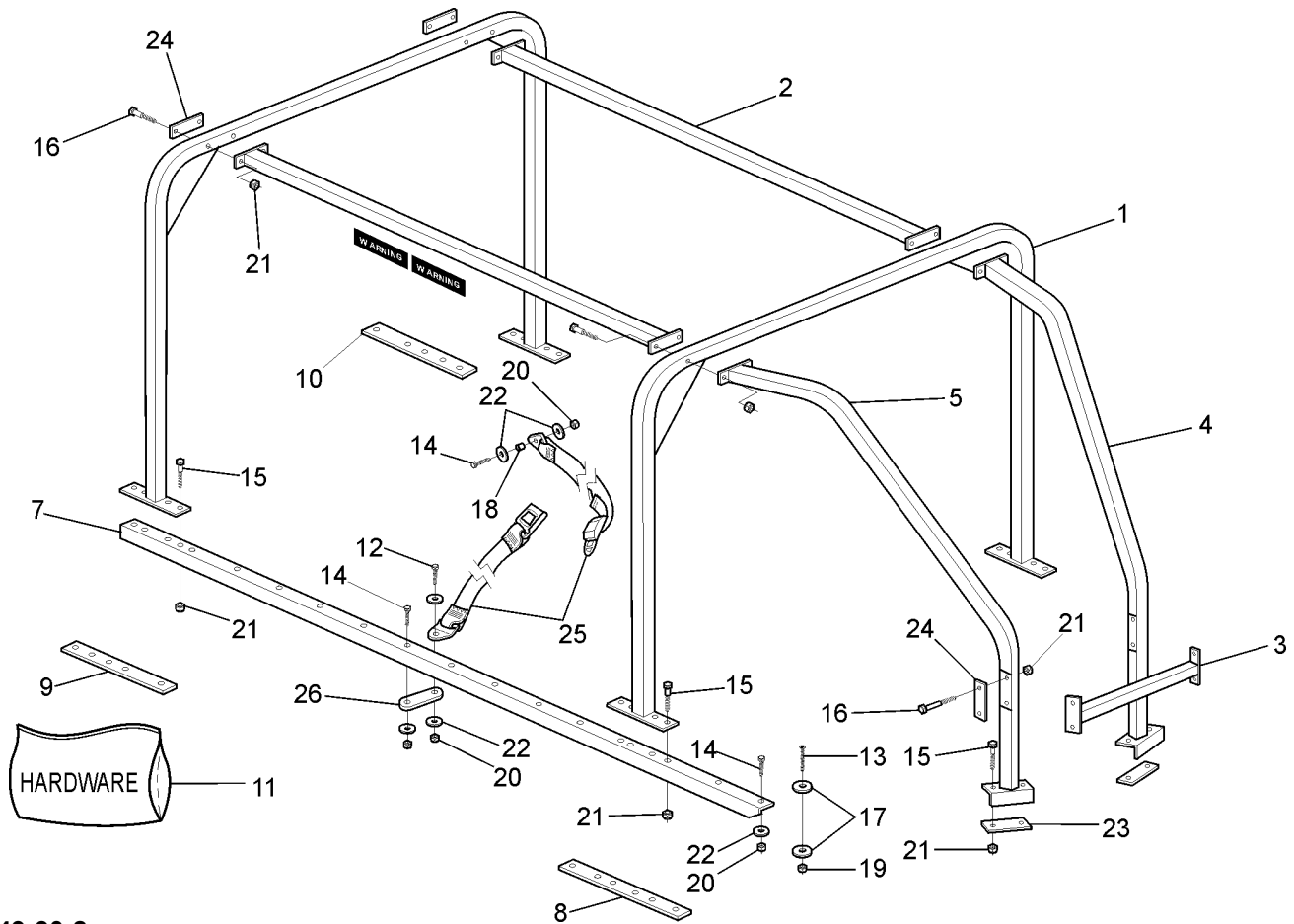
849-80 Rear Bench Seat



Ref.	Qty.	Part #	Description
1	1	849-87	Seat Assembly, Rear Bench-AVG
2	1	849-81	Frame ASM, Rear Seat - AVG
3	2	849-86	Bracket, Side Support
4	1	608-39	Backpad ASM, Black
5	1	849-80HDW	Hardware kit comprised of:
6	7	103-03	PHMS 1/4-20 x 1.50 Zn
7	7	103-73	THMS, PHIL 1/4 x 20 x .75 Zn
8	14	108-03	Lockwasher 1/4 Split Ring Zn
9	4	108-08	Washer .28 x .62 x .07 Zn
10	2	112-02	SHSS 10-24 x 1/4 Knurl Cup Pt, PI
11	4	117-20	Nut, Fin Hex 1/4 - 20 Zn
12	8	120-04	Washer .19x.50x.08 Zn
13	8	120-09	Rivet - 3/16 x 1.0 Black
14	2	127-22	Spring, Compression - Zn
15	2	812-17	Collar
16	2	849-72	Pin, Pull
17	2	849-88	Cap, 7/8 x16 GA.SQ.Tube-AVG
18	2	108-15	Washer, .42x.81x.05 Zn



849-90-2, 849-90-4 Roll Over Protective Structure (ROPS)



849-90-2

Ref.	Qty.	Part No.	Description	Ref.	Qty.	Part No.	Description
1	2	849-97	Hoop Assembly	18	6	108-64	Spacer, 3/8x1/2x3/8"
2	2	849-79	Tube Assembly - Top	19	4	117-27	Locknut, Nylon 1/4-20 Zn
3	1	849-91	Tube Assembly - Front	20	30	117-29	Locknut, Nylon 3/8-16 Zn
4	1	849-93	Brace Assembly - Front Left	21	32	117-66	Locknut, Nylon 2-13 Zn
5	1	849-94	Brace Assembly - Front Right	22	38	108-26	Washer .43x1.02x.09 Zn
6	1	848-58	Angle Iron - Left	23	2	848-54	Flange, Bumper - Front
7	1	848-59	Angle Iron - Right	24	4	848-55P	Flange, Tube
8	2	849-98	Stiffener, Front	25	2	848-56	Seatbelt Assemblies
9	1	849-99	Stiffener, Right Rear	26	2	848-57	Strap, Belt Anchor
10	1	849-89	Stiffener, Left Rear	27	1	849-77	Trim, Vinyl - 10"
11	1	849-90HDW	Hardware kit comprised of:	Additional Parts for 849-90-4			
12	4	103-34	HHCS, 3/8-16x1.25 Gr5 Zn	2	2	848-56	Seatbelt Assemblies
13	4	103-03	PHMS 1/4 20x1.50 Zn	2	2	848-57	Strap, Belt Anchor
14	26	103-76	HHCS, 3/8-16x1.75 Gr5 Zn	1	1	849-80	Rear Bench Seat Kit (including instructions)
15	20	112-66	HHCS, 2-13x2.0 Gr5 Zn	2	2	108-64	Spacer, 3/8x1/2x3/8"
16	12	112-157	HHCS, 1/2-13x3.25 Gr5 Zn				
17	8	108-01	Washer, Fender 1/4 BSx1.25OD				

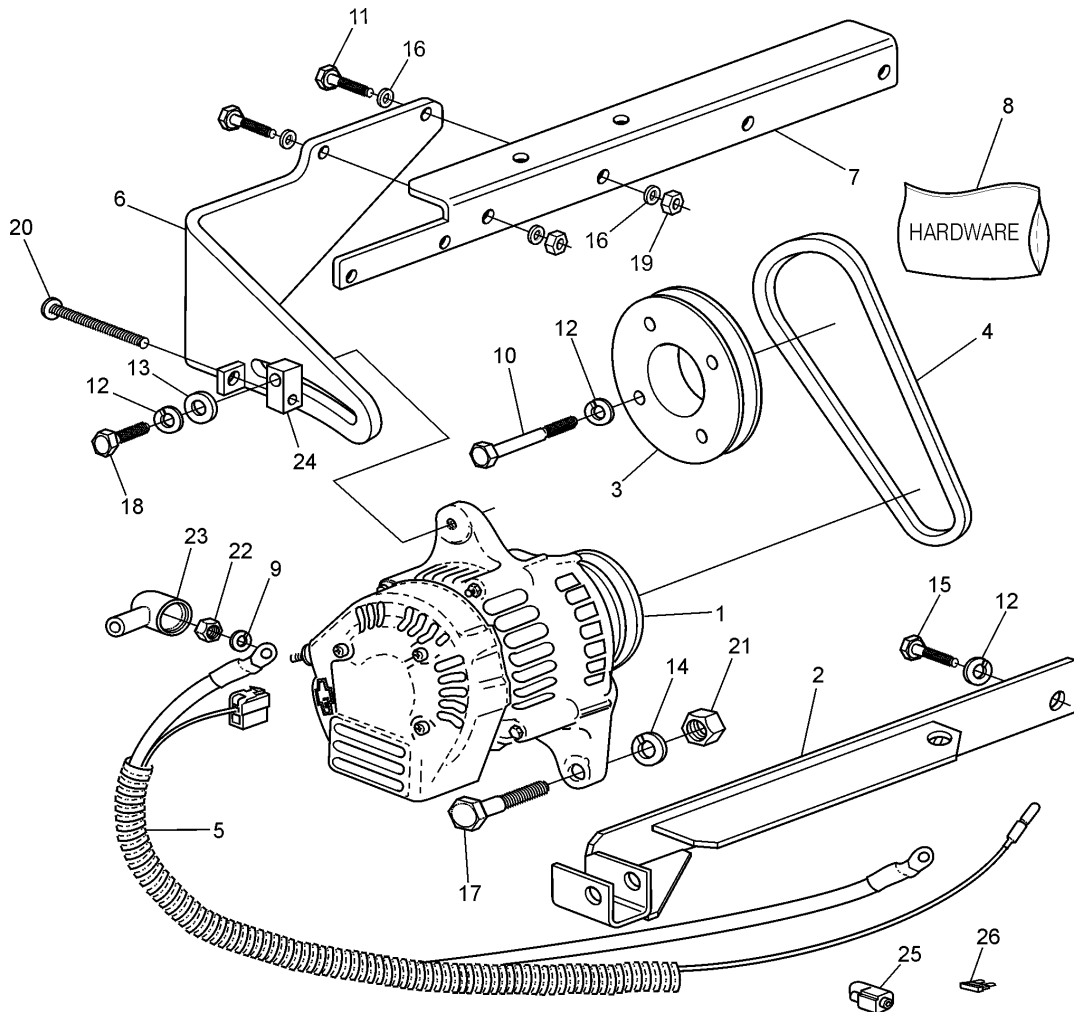
Shipping Weight and Dimensions

1 Box 849-90-2 Kit - Dimensional Weight: 173 lbs.; Dimensions: 61" x 47" x 10"; Actual Weight: 130 lbs.

1 Piece 2 x Angle Irons; Dimensional Weight: 1 lb.; Dimensions: 84" x 2" x 1"; Actual Weight: 16 lbs.



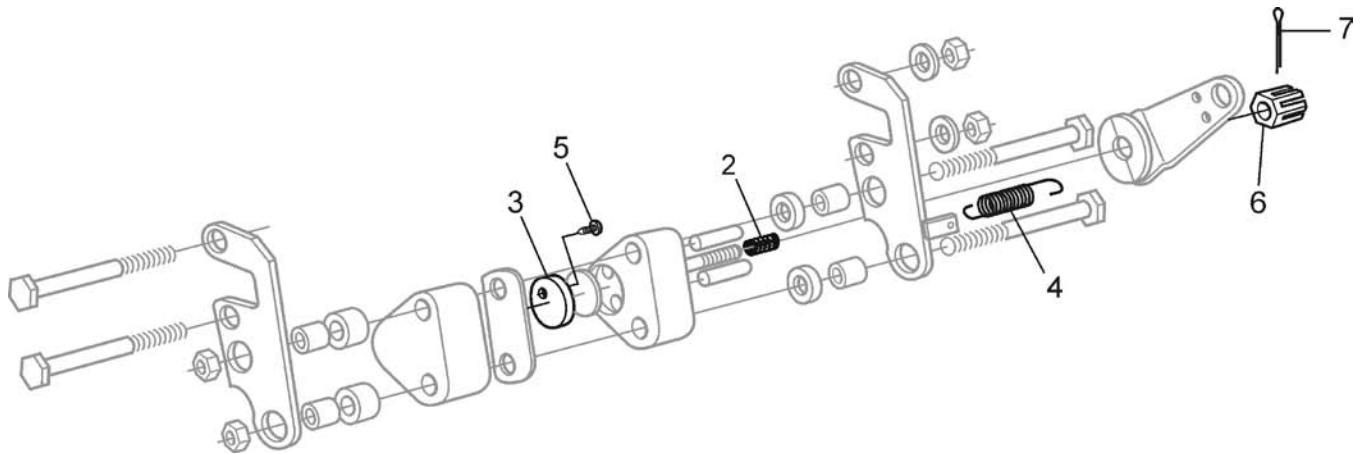
850-54 - Alternator - Avenger



Ref.	Qty.	Part #	Description	Ref.	Qty.	Part #	Description
1	1	850-41	Alternator - 40 amp	18	1	112-63	HHCS M8 x 1.25 x 35mm Gr 5 Zn
2	1	850-56	Bracket Ass'y, Bottom	19	2	117-27	Locknut, Nylon 1/4-20 Zn
3	1	850-59	Pulley, V-Belt	20	1	112-65	RHMS 1/4 - 20 x 3" Phil Zn
4	1	850-45	V-Belt, 3/8" x 19"	21	1	117-62	Nut, Hex M10 x 1.50 Zn
5	1	850-58	Wire Harness	22	1	117-63	Nut, Hex M6 x 1.0 Zn
6	1	850-94	Bracket Ass'y, Adjustable	23	1	613-45	Insulator, Terminal (6ga.)
7	1	850-57	Bracket, Alt. Support	24	1	850-52	Block, Adjuster
8	1	850-54HDW	Hardware Kit comprised of:	25	1	118-04	Connector, t-Tap 14-18 Awg
9	1	108-03	Lockwasher 1/4" Split Ring Zn	26	1	118-52	Fuse, 10A 2-Prong
10	4	112-167	HHCS M8 x 1,25 x 80 mm Zn				
11	2	103-08	HHCS 1/4-20 x 1" Gr2 Zn				
12	6	108-05	Lockwasher 5/16" Split Ring Zn				
13	1	108-24	Flat Washer .34 x .70 x .06 Zn				
14	1	108-27	Lockwasher 7/16" Split Ring Zn				
15	2	112-20	HHCS M8 x 1.25 x 25mm				
16	4	108-08	Washer .28 x .62 x .07 Zn				
17	1	112-22	HHCS M10 x 1,50 x 50mm Zn				



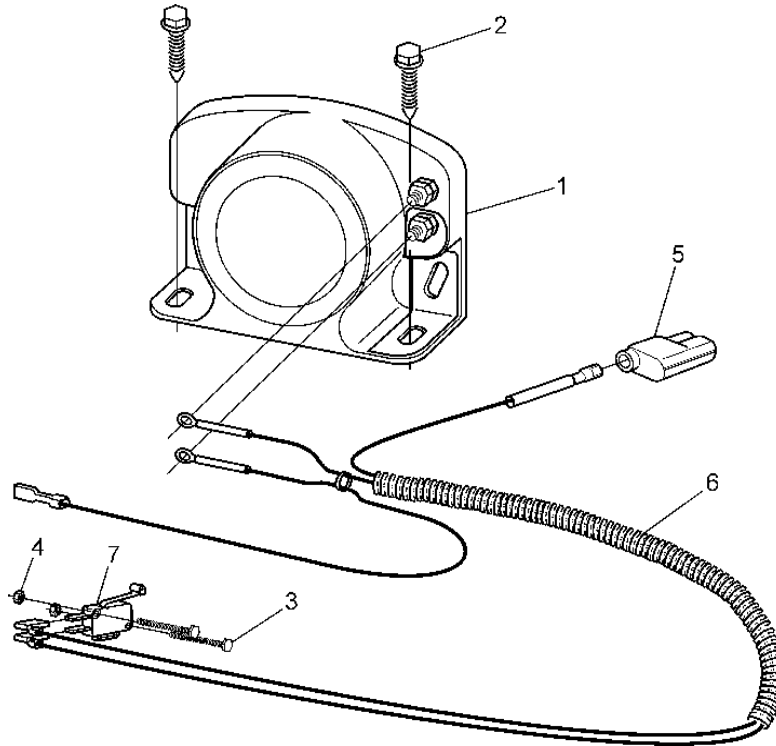
850-98 - Parking Brake Service Assembly



Ref.	Qty.	Part #	Description
1	1	850-98	Kit, Service, Parking Brake includes Ref. 2 - 7
2	1		Cam Tension Spring (compression)
3	1		Left & Right Brake Pads
4	1		Cam Arm Spring (tension)
5	1		Brake Pad Retaining Screw
6	1		Castle Nut
7	1		Cotter Pin



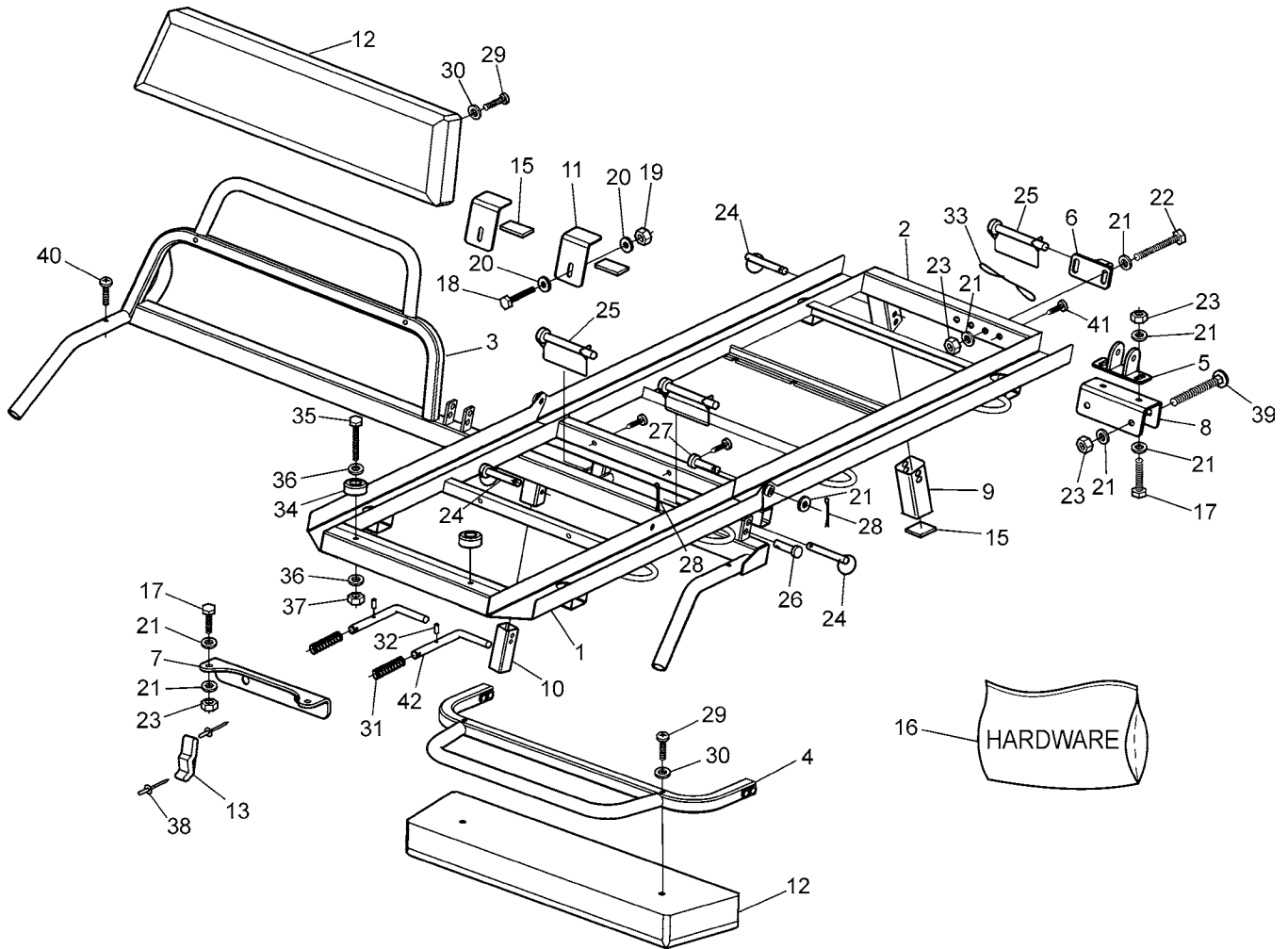
850-99 - Backup Alarm



Ref.	Qty.	Part #	Description
1	1	848-126	Alarm, Back-up
2	2	112-102	Screw, Self-Drill 12-14 x 3/4"
3	2	112-126	HHCS M3x0,5x30 CL 8.8 Zn
4	2	117-78	Locknut, Nylon M3x 0.5" Zn
5	1	118-04	Connector, T-Tap 14-18 Awg
6	1	613-113	Wire Harness, Back-up Alarm
7	1	809-202	Switch, Limit - Two Pole



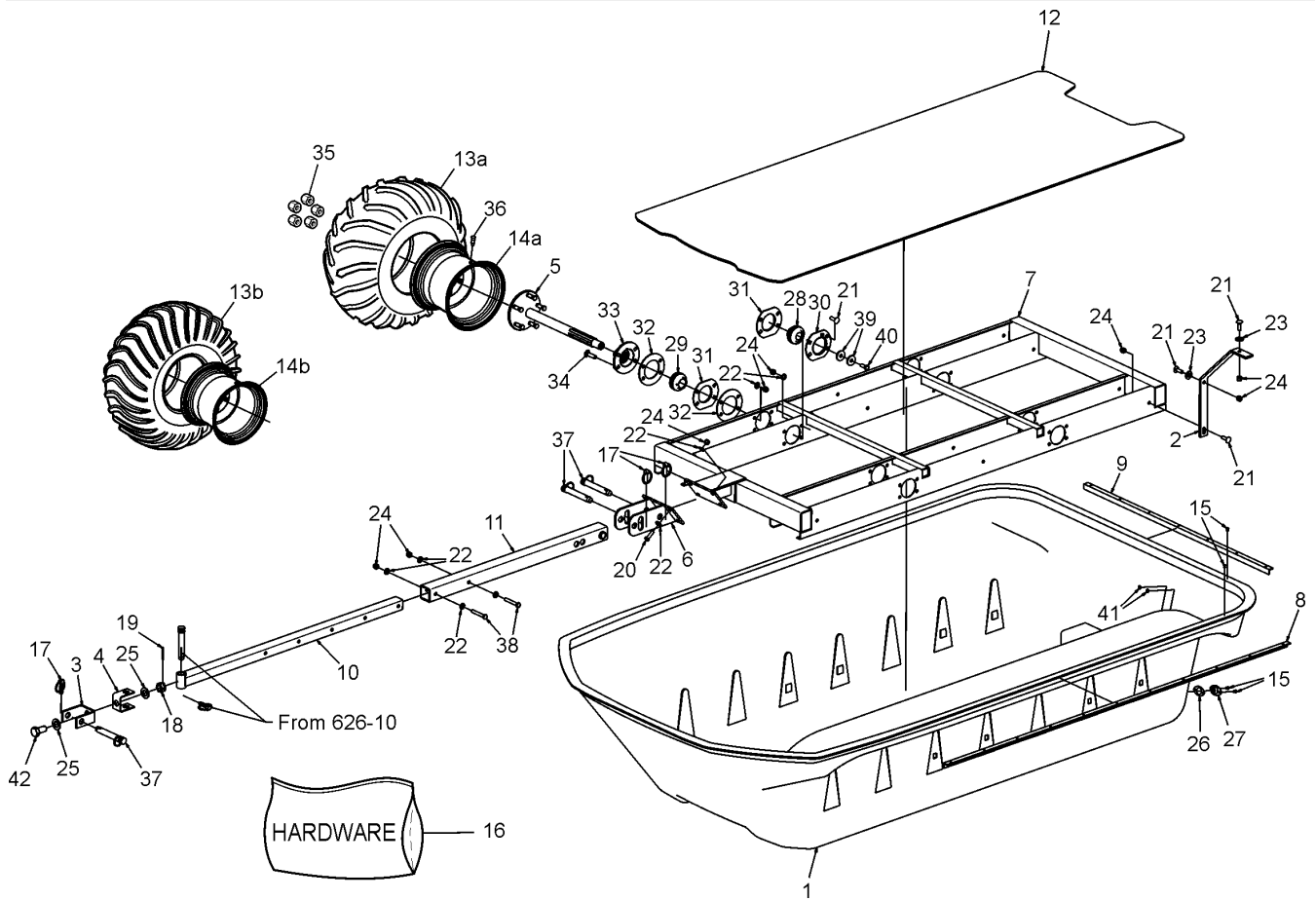
850-100 - Stretcher Frame



Ref.	Qty.	Part #	Description	Ref.	Qty.	Part #	Description
1	1	850-102	Weldment, Front Track - SAR	21	24	108-23	Washer .42 x .81 x .06 Gr8 Zn
2	1	850-103	Weldment, Rear Track - SAR	22	2	112-29	HHCS 3/8-16 x 2.5 Gr5 Zn
3	1	850-104	Weldment, Backrest - SAR	23	8	117-29	Locknut, Nylon 3/8-16 Zn
4	1	850-105	Weldment, Folding Backrest	24	4	104-47	Pin, Quick-Release, 3/8 x 1.80
5	1	850-106	Bracket Asm, SAR	25	3	104-45	Pin, Safety, 3/8 x 2-1/4
6	1	850-107	Bracket Asm, Rear SAR	26	2	104-46	Pin, Clevis, 3/8 x 2
7	1	850-136	Bracket, Dash	27	2	104-44	Pin, Clevis, 3/8 x 3/4
8	1	850-141	Bracket, Rear Mount	28	4	100-100	Pin, Cotter 1/8 x 3/4 Zn
9	1	850-142	Weldment, Adjuster Tube, Rear	29	4	103-03	PHMS 1/4-20 x 1.50 Zn
10	1	850-145	Tube, Adjustment	30	4	108-03	Lockwasher 1/4 Split Ring Zn
11	2	850-149	Bracket, Front Tube Hold-Down	31	2	127-172	Spring, Compression, 5/8x2-3/4
12	2	608-92	Backpad Asm - Black, SAR	32	2	104-26	Pin, Spring 3/16 x 13/16
13	1	602-56	Latch, Hood - Soft Draw	33	3	104-37	Lanyard, Nylon - 8"
15	2	127-123	Rubber, Strip -1/4 x 1" x 6.5"	34	2	850-137	Bumper, 1.5 OD x 0.625 Thk
16	1	850-100HDW	Hardware Kit, Stretcher includes:	35	2	112-40	HHCS 1/4-20 x 2.5 Gr2 Zn
17	4	103-17	HHCS 3/8-16 x 1.0 Gr5 Zn	36	4	108-08	Washer .28 x .62 x .07 Zn
18	2	103-57	HHCS 5/16-18 x 1.5 Gr5 Zn	37	2	117-27	Locknut, Nylon 1/4-20 Zn
19	2	117-21	Locknut, Nylon 5/16-18 Zn	38	4	120-11	Rivet - 5/32 x 9/16 Black
20	4	108-24	Washer .34 x .70x.06 Zn	39	2	112-170	C/Bolt, 3/8-16 x 3.0in
				40	2	112-41	PHMS, Quadrex 1/4-20x1.25 Zn
				41	3	112-102	Screw, Self-Drill 12-14 x 3/4"
				42	2	622-85	Release Pin, Receiver Winch



V-Trailer-08



Ref.	Qty.	Part #	Description	Ref.	Qty.	Part #	Description
1	1	603-99	Body, Lower - Frontier	22	56	108-15	Washer .42x.81x.05 Zn
2	6	695-16	Support, Body	23	12	108-35	Washer .53x1.06x.09 Zn
3	1	695-64	Bracket, Hitch	24	56	117-29	Locknut, Nylon 3/8-16 Zn
4	1	695-71	Bracket, Tongue	25	2	108-53	Washer .81x1.5x.12 Zn
5	4	810-75	Axle Ass'y - Mid	26	2	100-114	Gasket, Drain Plug + # 100-107
6	1	695-83	Hitch Ass'y, Trailer	27	2	100-107	Plug, Drain-Flanged + # 100-114
7	1	695-88	Frame Ass'y, Trailer	28	4	101-41	Bearing, Ball - 1.0 (48 per box)
8	2	695-90	Bracket, Side	29	4	101-35	Bearing, Ball - 1.25 (70 per box)
9	1	695-91	Bracket, Rear	30	4	101-20	Flange, Greaseable - 4 Hole
10	1	695-93	Tongue, Ass'y	31	8	605-63	Flange - 4 Hole
11	1	695-96	Tube Ass'y, Hitch	32	8	605-89	Gasket, Flange - Outer
12	1	695-67	Floor Pan, Trailer	33	4	605-97	Flange - Cast, Outer c/w Seals
13a	4	127-100SA	Tire, Rawhide III 25x11.50-9	34	16	112-39	C/Bolt 3/8-16x1.75 Gr5 Zn
13b	4	127-158	Tire, Argo 24x10-8	35	20	117-35	Nut, Wheel 7/16-20 Zn
14a	4	127-61C	Rim - 10x9 Charcoal	36	4	125-26	Valve, Tire
14b	4	125-13C	Rim - Charcoal	37	3	104-10	Pin, Toplink - 3/4x3.875
15	33	120-13	Rivet - 3/16 x 5/8 Black	38	2	103-53	HHCS 3/8-16x3.0 Gr5 Zn
16	1	V-Trailer-08HDW	Hardware, Trailer Kit	39	8	108-46	Washer .40x1.37x.12 Hi-Carbon
17	3	104-11	Pin, Lynch - Ring	40	4	112-31	HHCS 3/8-16x1.0 2B Gr8 Zn
18	1	117-37	Nut, Hex Slotted 3/4-10 Zn	41	4	120-04	Washer .19x.50x.08 Zn
19	1	100-01	Pin, Cotter 1/8x1.50 Zn	42	1	695-34	Bolt, Swivel
20	4	103-82	HHCS 3/8-16x1.25 Gr5 Zn				
21	34	103-88	C/Bolt 3/8-16x1.0 Gr5 Zn				



ARGO Products Manufactured by:

Ontario Drive & Gear Limited

220 Bergey Court
New Hamburg, Ontario
Canada N3A 2J5
Phone: (519) 662-2840
Fax: (519) 662-2421
www.argoatv.com

ODG *Dedicated to quality and performance*