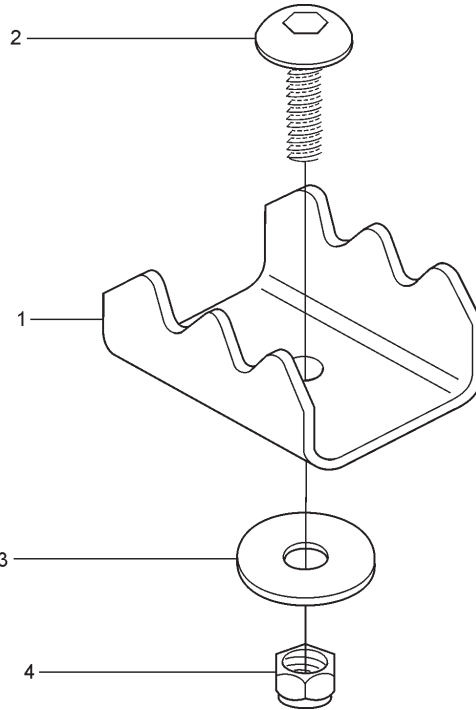


Accessory Instructions

Revised November 2006

Ice Cleat Assembly - 625/825-20, 825-21

For Super Track Ass'y 625/825-42K, 625-43 & Rubber Track Ass'y 625/825-50



<u>Kit #</u>	<u>Use For</u>
625-20	6x6 Super Tracks
825-20	8x8 Super Tracks Frontier Rubber Tracks
825-21	Avenger Rubber Tracks

List of Parts

<u>Ref.</u>	<u>Qty.</u> <u>625-20</u>	<u>Qty.</u> <u>825-20</u>	<u>Qty.</u> <u>825-21</u>	<u>Part #</u>	<u>Description</u>
1	28	36	44	625-21	Ice Cleat
2	28	36	44	112-33	BHCS 3/8-16 x .875 Gr8
3	28	36	44	108-26	Washer .43 x 1.02 x .09 Zn
4	28	36	44	117-14	Locknut, Centre 3/8-16

Tools Required

Socket Wrench	Socket - 9/16"	Pin Punch, 1/4" dia	Hammer
Rubber Mallet	Allen Wrench, 1/8", 7/32"	Vise Grips	2 C-Clamps
Loctite Compound	Drill & Bit - 3/8"		

▲ WARNING Detailed information on standard workshop and safety procedures, and general installation practices is not included in these instructions, which have been prepared to assist qualified and competent personnel. ODG assumes no responsibility or liability for PERSONAL INJURY or VEHICLE DAMAGE which results from any procedure performed, including those procedures outlined in these instructions. Before performing an installation operation, an individual must have determined to his/her satisfaction that personal injury or vehicle damage will not result from the installation procedure, working environment or tools selected.

Vehicles Affected: All Models

Instructions:

1. One cleat should be mounted on every **other** segment of plastic track or every **fourth** pitch of rubber track.

NOTE

Rubber track requires holes drilled at the outer edge of the track to mount the cleat. Drill a 25/64" hole at every **fourth** pitch. The location for this hole is indicated in the track material by an imprinted square with small circle. Locate the hole at this circle.

- Refer to the drawing below, showing the ice cleat location on the **OUTSIDE** of the track when installed on the vehicle.

CAUTION: The Ice Cleats must be installed on the **OUTSIDE** of the track assemblies to prevent damage to the vehicle body.

- Using a 7/32" Allen wrench and a 9/16" socket, install the ice cleats as shown in the drawing. **Note the orientation of the hardware.**

CHECK THAT ALL HARDWARE IS TIGHT BEFORE EACH USE.

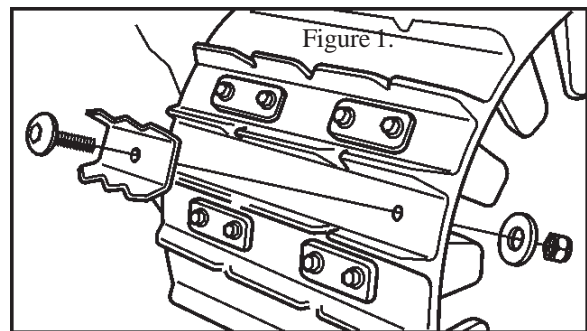
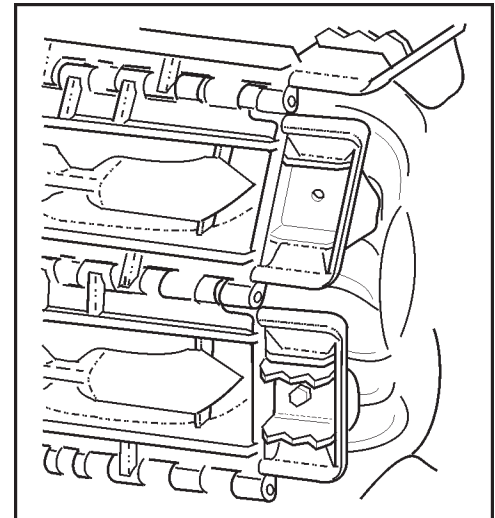


Figure 2.

WARNING: Make sure all passengers riding in an Argo equipped with ice cleats are informed to keep hands, feet and clothing inside the vehicle, well away from the tracks and ice cleats, while the Argo is in motion. Serious injury or death could result from getting caught by the ice cleats.

